

CONVERTIBLE TOPS • TONNEAU COVERS • HEADLINERS
GLASS & PLASTIC WINDOWS • TOP BOOTS • ACCESSORIES



2008 (PDF)

INTEGRITY • QUALITY • SERVICE • SUPPORT • SINCE 1943

WWW.ROBBINSAUTOTOP.COM

CUTTING & SEAM SEALING TECHNOLOGY



We use the latest in Cutting, Heat-Sealing and Seam Sealing equipment by GERBER, PFAFF, HALL DIELECTRIC, etc. Computerized accuracy, efficiency and durability, combined with the most experienced manufacturing force in the industry is what makes Robbins #1 in the aftermarket. GERBER CAD-CAM technology ensures consistent, precise cutting of our convertible products. The best and latest heat-seal and seam seal technology by PFAFF and HALL DIELECTRIC, as used by many American, European and Japanese OEM manufacturers, help to ensure industry leading product performance.

HOW TO ORDER OUR PRODUCTS

- PART NUMBERS ARE LISTED BY MODEL YEAR UNLESS OTHERWISE SPECIFIED.
- SOME PART NUMBERS REQUIRE MORE DETAILED VEHICLE INFORMATION, DESCRIPTION, MEASUREMENTS, ETC.
- CONFIRM THE MAKE, MODEL & MODEL YEAR OF CAR. (CHECK V.I.N. NUMBER WITH DEALER, OR ROBBINS.)
- SELECT OUR PART NUMBER FROM OUR CATALOG SUCH AS 6220 (FORD MUSTANG) OR 2043C (MERCEDES CLK).
- SELECT A CLOTH OR VINYL TOPPING & COLOR: SF BKB, ST TAB, SG BLB, TW MBB, A5 OGB, CG BKB, RC MTB, ETC.
- SELECT BINDING TYPE IF ITEM IS TO BE MADE IN A CLOTH TOPPING, SUCH AS "C" FOR MATCHING CLOTH BINDING.
- SPECIFY ANY SPECIAL FEATURES SUCH AS A WINDOW LINING COLOR, WHEN APPLICABLE.
- BUILD A COMPLETE PART NUMBER SUCH AS 6220 SS BKG, 2043C A5 OGB, 2450TR BS BKG, ETC.
- DOUBLE CHECK TO MAKE SURE YOU ORDER THE CORRECT ITEM FOR YOUR CUSTOMER'S CAR.

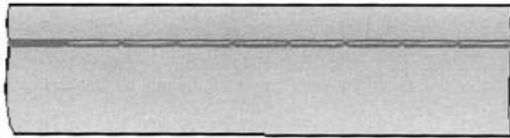
SPECIAL ORDER/NON-RETURNABLE ITEMS: All convertible products for which we have **less than 10 sales per year, or ordered in non-original toppings or colors, CANNOT BE RETURNED (OR CANCELLED once manufacturing begins)**. We list the original toppings for all products we manufacture in our Catalog. **Collecting Payment in advance from your retail customer is strongly recommended before placing ALL non-returnable orders.**

NOTES ON ORDERING GLASS & PLASTIC WINDOWS: Always order tops and glass or plastic windows with the same color backing. Even in convertibles equipped with Headliners, these do not always completely conceal the backing of Tops, Glass or Plastic Curtains. Glass and Plastic Windows with Bottom Color Trim ordered in SF or ST Cloth colors with plain black backing will be made using a KV Black Single Texture Vinyl Curtain and Sun-Fast Bottom Color Trim to match the outside color of the Top. The black backing color of the KV Black will be a close match to the inside black backing color of the cloth Top with which it will be installed. If the Glass Rear Window is ordered in Cloth colors with tan or doobby backing, the entire Window Assembly may have to be made in Cloth so that both the outside color and inside tan backing color will match exactly with the cloth top with which it will be installed. This requires a special process to allow heat-sealing, and requires an additional charge. (Glass Rear Windows can be ordered made entirely in Cloth with black backing if an exact match to the black backing cloth of the Sun-Fast Top is required). Prices for Tops (and Plastic Windows with no bottom color trim to match top) ordered in Robbins Sun-Fast Cloth are the same if ordered in Black or Tan backing.

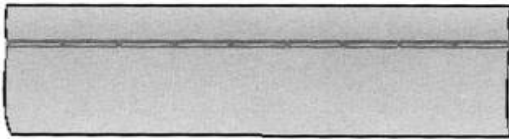
BINDINGS

Original and Special Bindings for Convertible Tops: We duplicate the factory original style cloth or vinyl binding in manufacturing our convertible Tops. Single Fold Binding, Double Fold Binding, Hand-Rolled Binding and Folded Edge (No Binding) are the four styles of original bindings we use to finish our products. Stitching used to attach the binding can be seen in Single Fold and Double Fold Bindings, and can be seen in some Tops with folded edges. Stitching cannot be seen in Tops finished with Hand-Rolled Binding.

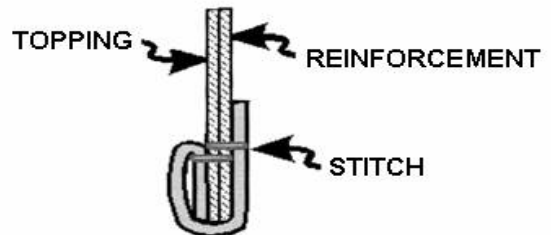
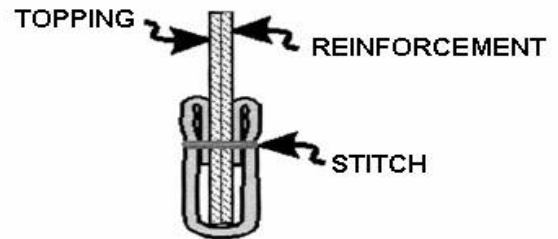
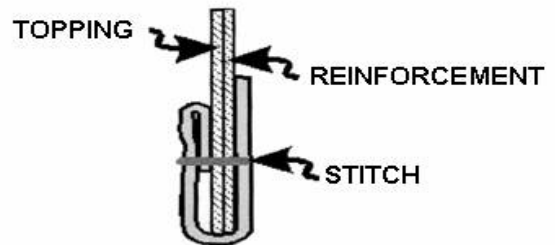
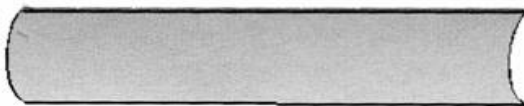
Single Fold Binding



Double Fold Binding



Hand Rolled Binding



Hand-Rolled Cloth or Vinyl Binding: An "R" will be added to the end of the item number to designate that the item has been ordered with Hand-Rolled Binding, such as 2042R GN BKT; or if Hand-Rolled in vinyl on a cloth top, an "RV" will be added such as 2080RV SF BKB. An additional charge is required when ordering products with Hand-Rolled Binding, unless noted in catalog as having "Hand-Rolled Binding".

Some tops are made with Binding that is different from the convertible top, as original: We make our 1955-1976 Chevrolet, Cadillac, Corvette, Buick, Oldsmobile and Pontiac Tops with original style Crush Grain Binding when Tops are made in KV Pinpoint Grain Vinyl. Alfa Romeo and Ferrari Tops made in Cloth Toppings which are finished with Hand-Rolled Vinyl Binding are additional examples of original style bindings which do not match Toppings.

Non-Original Cloth Bindings: Owners of convertibles originally equipped with Tops made in vinyl may wish to upgrade and order a Top made in a Cloth Topping. **To simplify ordering we make all non-original Cloth Tops with matching Cloth Binding.** Cloth Binding is sewn on to the Tops in the same manner as Vinyl Binding, with the stitching visible. The letter "C" will be added to the item number to designate items ordered with matching Cloth Binding, such as 2725C SG BKB or 7203C SF BKB for Cloth Tops made with matching Cloth Binding.

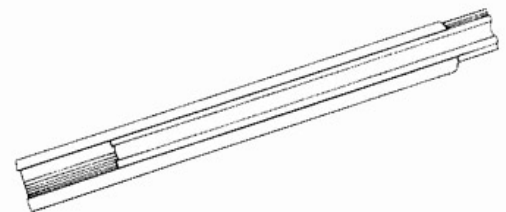
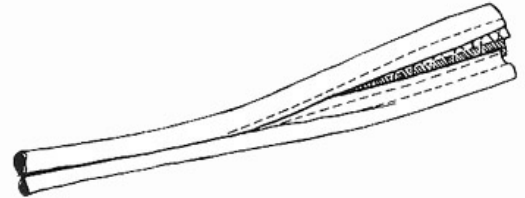
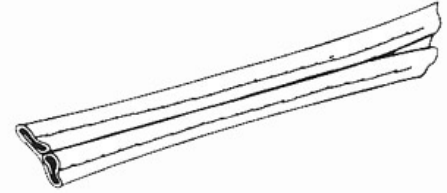
WIRE-ON and HIDEM

Many older Imported and nearly all Pre-1991 American Convertibles used Hidem or Wire-On trim across the rear bow.

HIDEM: Available in all CG Bison Crush Grain Vinyl colors, most BS Everflex British Vinyl colors, KV BKB and KV WHB, most colors of our RC Cabrio Grain Vinyl, and most colors of Sun-Fast and Stayfast Cloth.

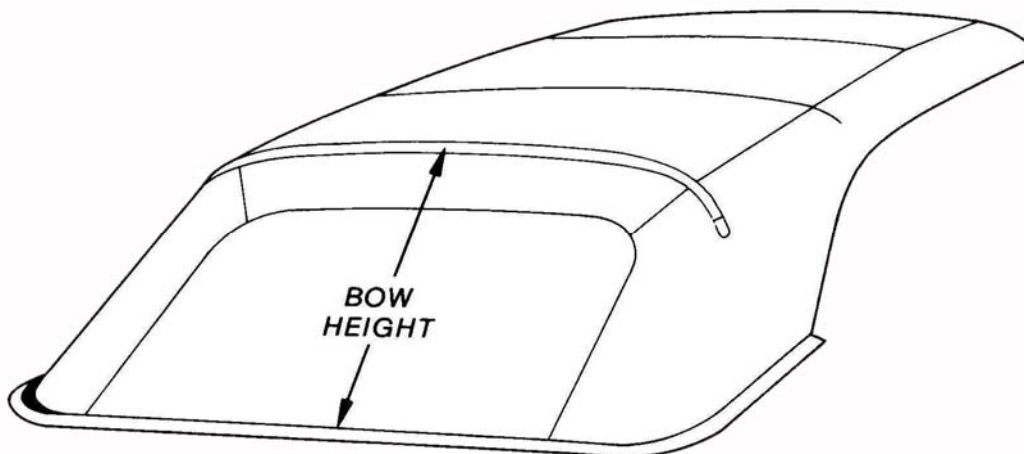
WIRE-ON: Available in many colors of our KV Grain Vinyl, CG BKB and CG WHB in our Crush Grain Vinyl, CH BKB and CH WHB Chrysler Crush Grain Vinyl, some colors of Sailcloth Single Texture Vinyl; and in Black, Blue, and Brown shades of our Sun-Fast Cloth.

PLASTIC INSERT WIRE-ON: Available in Black, Oxford White, GM White, Ford White and other KV Grain Colors.



HOW TO MEASURE BOW HEIGHT

Check Bow Height Measurement BEFORE removing the old Top from your customer's car.



To measure:

1. Locate the bottom center of the existing Glass or Plastic Rear Window where it meets the inner edge of the belt molding.
2. Place a yardstick or metal ruler flat against the Rear Window so one end rests against the inner edge of the rear finish molding, and measure to the middle of the rear bow.
3. The Bow Height measurement you have taken should not vary more than 1/2 inch from the figure listed in our Catalog. If the measurement is off more than 1/2 inch, reset the rear bow to the correct height before installation or our top and rear window will not fit correctly.

TYPICAL TOP & TOP FRAME DIAGRAMS

This series of diagrams is presented for the purpose of helping our customers better understand the terminology used to describe Convertible Tops, Top Frames and related parts. These diagrams are universal, and while no one diagram shows full details of any specific top, most parts of any top will appear in one of the following diagrams.

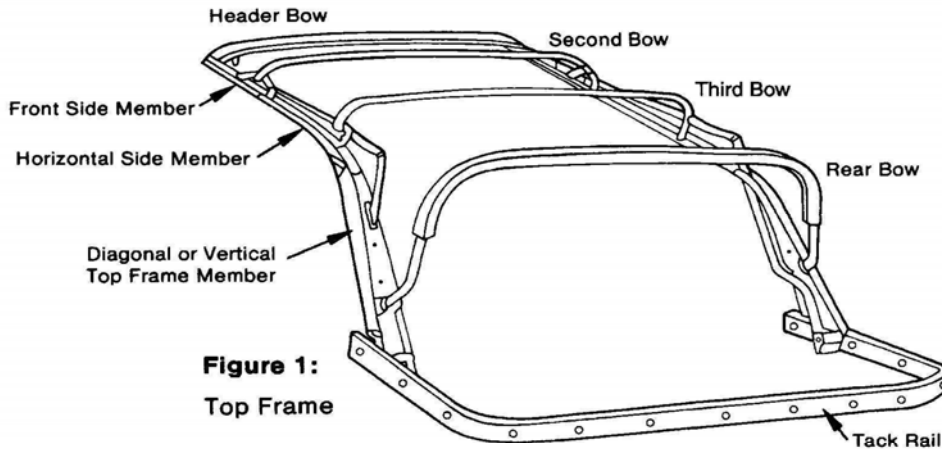


Figure 1:
Top Frame

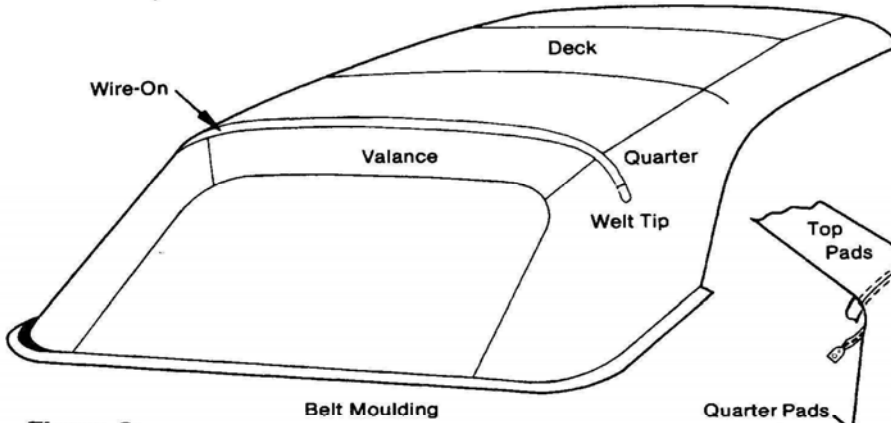


Figure 3:
Typical American Car Top, Outside View

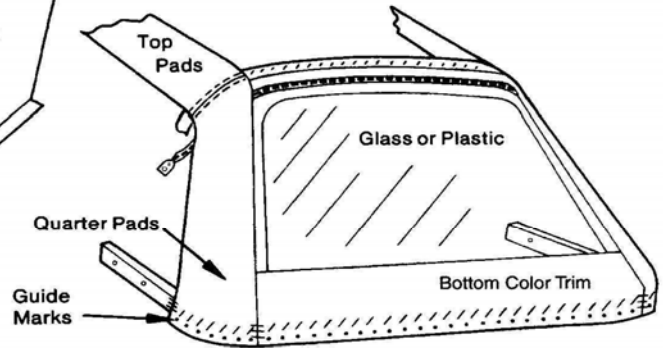
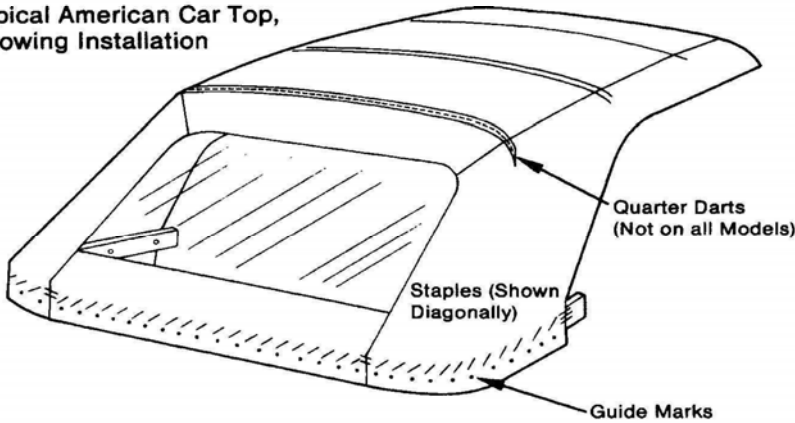


Figure 4:
Typical Rear Curtain Assembly Showing
Partial Top Pads, Quarter Pads, and Tack Rail.

Figure 6:
Typical American Car Top,
Showing Installation



TYPICAL TOP & TOP FRAME DIAGRAMS

Figure 2:
Top, Inside View

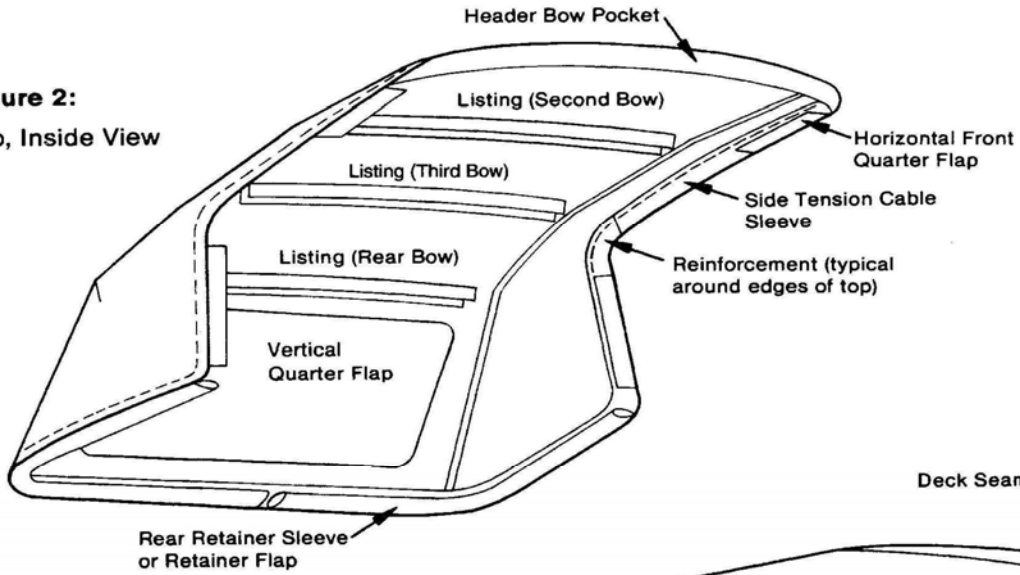


Figure 5:
Typical Import Car Top with Frame Mounted Door Glass Weatherseals.

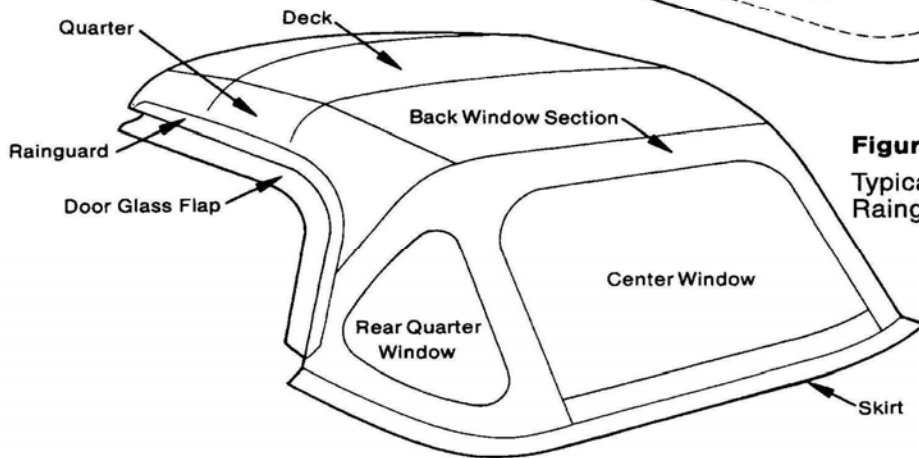
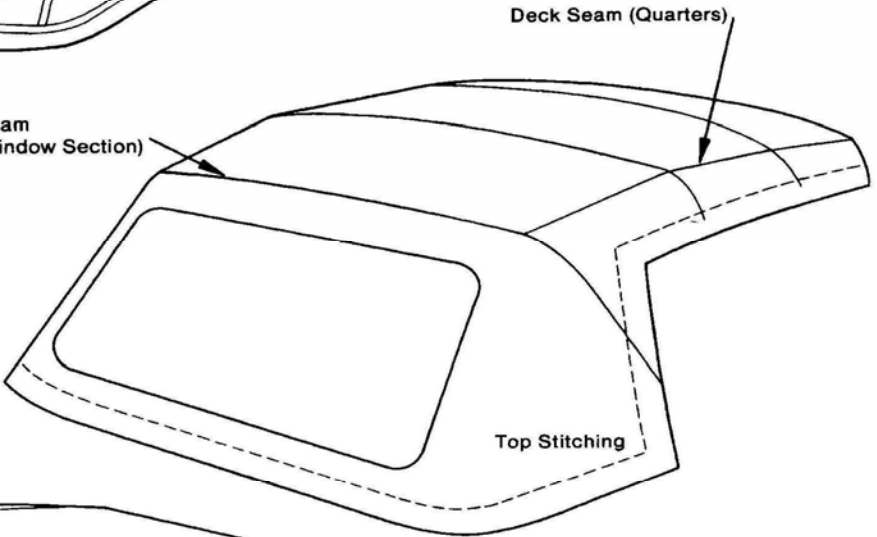


Figure 7:
Typical Import Car Top, with Flaps, Rainguard, and Skirt (British Style).

All Robbins convertible Tops, Glass and Plastic Windows, Tonneau Covers, Headliners, Top Boots and related products are guaranteed to be free of defects in materials and workmanship at the time of shipment from our plant. **We offer a pro-rated warranty for our products based on the type of topping in which our product is made, and the length of time our product has been installed.** We guarantee our workmanship, and offer protection against failure in toppings such as cracking, delamination, severe discoloration (except lighter colors of GR German Cloth toppings for which no warranty is available) during the warranty periods listed below.

Should more than one warranty use be required, the terms of each subsequent use will be based on the date of original purchase. The warranty period is not extended when a warranty replacement product is installed. (Submitting the new warranty card packed with the warranty replacement product will not extend the warranty period.)

Our Warranty does not cover damage caused to our products by failure to properly operate a convertible top and glass or plastic window by not following the procedures outlined in your owner's manual. Our warranty furthermore does not cover any damage caused by abuse whether accidental or intentional, or damage which may occur during installation of our products; or caused by failure to use or replace side cables, rain rails or other original components; or by use of improper cleaning techniques, cleaners or dressings.

Our warranty is based on the warranties offered by auto manufacturers for new convertibles, 3 years for tops and glass windows (depending on the topping in which it is made as shown below.) We stand behind our products, and while we must protect against abuse and negligence, customer satisfaction is always the number one priority of our Warranty policy.

GLASS WINDOWS

There is no warranty against breakage of glass windows since we have no control over the use and treatment of glass windows during or after installation. We do however offer a 3 year Warranty against failure of the bond of the sport topping to the glass, or failure in the topping that would cause the glass window not to operate correctly. Folding glass windows which use our Flex-Hinge, U.S. Patent 4,799,727, as well as our tops with glass window and glass window upgrades for Mazda MX-5 Miata, are also guaranteed for three years from date of installation.

CONVERTIBLE TOPS

American Made Vinyl Sport Toppings:

CG - 36 oz. Bison (Crush Grain) single texture vinyl.....	3 Year
CM - Cami Double Coated Vinyl (for 7349, 7350 Tops).....	3 Year
JD, JP - Isuzu (JD), Suzuki (JP), Denim Backing Vinyl.....	3 Year
KV - 36 oz. Deluxe Supreme Pinpoint Grain Single Texture Vinyl.....	3 Year
RC, RS - Robbins 38 oz. Cabrio Grain and Robbins 38 oz. Escort Grain Single Texture Vinyls.....	3 Year
CH - 36 oz. Chrysler Crush Grain Single Texture Vinyl.....	3 Year
SS - 36 oz. Chrysler Vinyl Sailcloth Single Texture Vinyl.....	3 Year
EC, EV - Euro Vinyls Run on Black Polyester/Cotton Backing.....	3 Year
HV Twill Grain Vinyl with Black Polyester or Gray Polyester/Cotton Backing.....	3 Year

Imported Vinyl Sport Toppings:

BS - Original British Everflex Vinyl.....	1 Year
---	--------

Continued Next Page...

CONVERTIBLE TOPS (Continued)

American and Imported Cloth Sport Toppings

SF - Robbins Sun-Fast™ Cloth with Polyester or Cotton backings.....	3 Year
SG, TW - Robbins Sun-Fast "G™", Haartz Twillfast Cloth with Tan or Black Polyester or Polyester/Cotton blend, dobby backing.....	3 Year
ST - Haartz Stayfast Cloth. No Warranty against ballooning, or creasing.....	3 Year
LM - Haartz Landmark Cloth topping with gray polyester/cotton blend backing.....	*3Year
<i>*No Warranty against creasing.</i>	
A5, A5S - Sonnenland German Cloth with Black 100% Polyester Dobby backing.....	3 Year
GN - Sonnenland Plus German Cloth for 2042R Tops, with Black 100% Polyester Dobby backing.....	3 Year
GR - Sonnenland Classic German Cloth with Cotton Dobby backing.....	*1 Year
<i>*No Warranty against fading or discoloration in light colors.</i>	

HEADLINERS, TOP BOOTS, PLASTIC WINDOWS and TONNEAU COVERS

We offer a one year Warranty for these products regardless of the specialty vinyl or type of sport topping in which they are made.

WARNING: Damage caused by failure to properly operate a Convertible Top, Tonneau Cover, etc. is the sole responsibility of the purchaser. Most damage of this nature occurs when convertibles are loaned to friends or relatives who are unfamiliar with convertibles. An example of this type of damage is when late MGB tops tear because the fasteners were not released before the top was lowered. The most common cause of Glass Window breakage is obstruction of the glass during raising or lowering. Before lowering any Convertible Top make sure the storage compartment is free of any foreign object such as beach towels, school books, toys, etc. In convertibles with soft wells (pouch type storage compartments) be sure nothing is underlying the well, and that everything in the trunk is secured. (Spare tires, tools, cartons, etc., can shift and cause problems the next time the top is lowered or raised.)

Other causes of glass breakage can be metal top frame components which are out of alignment. If you notice any irregular movement, stiffness, or other problem in lowering or raising your top, immediately take your convertible to an automotive Trim and Upholstery Shop, or if your convertible is still under new car warranty, to the dealer to have the frame mechanism inspected. One last cause of Glass Window breakage in late model convertibles is the poor design of rear seats. Over time in some new convertibles the rear seat backrest can be bent out of shape, and as a result Glass Windows can snag on the rear seat backrest and shatter when the top is raised or lowered.

We recommend strongly that you always watch carefully as you raise and lower your convertible top and glass rear window to avoid experiencing the sorts of problems described above.

Exclusions From Limited Warranty

Knots and Minor Blemishes, Direction of Weave in Cloth Toppings: Small knots and blemishes can occur in all cloth toppings due to limitations in the capabilities of the looms which weave the cloth.

We cut our tops to obtain optimum stretch for decks, quarters and reinforcements to insure the best fit and long service life. However when we cut cloth toppings with directional weaves such as the twill weaves used in our Sun-Fast "G", Twillfast, or German Cloth toppings, decks and quarters may have weaves cut in different directions to obtain the best fit for our products.

Normal Color Fading and Shrinkage: All sport toppings, vinyl or cloth, will experience some color fading and normal shrinkage over time. Robbins cannot be held responsible for this unavoidable "aging" process.

Continued Next Page...

Exclusions From Limited Warranty (Continued)

Damage Caused by Worn or Defective Top Frames, Flawed Design of Tops and Top Frames by OEM Manufacturers: Robbins is not responsible for damage to our products, or to the convertibles on which they are installed, resulting from worn, bent or otherwise defective top frames; or defective or missing straps, pads, cables, deep well liner, or other components.

Examples: 1987-95 Lebaron, 1989 Mustang, 1987-95 BMW 3-Series, 1990-94 Capri, 1990-2002 Mercedes SL convertibles may have problems which are inherent in the basic design, for which we cannot be held responsible. Vehicle manufacturers generally have TSB's (Technical Service Bulletins) for many inherent problems with a vehicle. TSB's outline problems and will generally recommend a solution, although sometimes temporary.

Damage Caused by failure to install side cables or other components; or Improper Installation: Robbins cannot be held responsible for damage to our products, or to top frame, interior, body, or other area of the convertible; caused by failure to use, correctly install or replace side or rear cables, weatherseals, rain rails, top, quarter pads, straps or fasteners or other components installed as original equipment by the convertible manufacturer. Robbins furthermore is not responsible for damage to our products or the convertible on which they are installed caused by use of incorrect tools or improper installation procedures.

Improper Cleaning or Customer Abuse: Any damage to our products caused by improper cleaning techniques, or use of inappropriate cleaning solutions or solvents; or damage caused by customer abuse whether accidental or intentional, is the sole responsibility of the purchaser.

Plastic Windows: We offer no warranty for plastic windows because no clear flexible plastic exists that can stand the effects of the harmful effects of UV light, and the atmospheric chemicals that are found in smog, smoke, dust, etc. Frequent cleaning however will prolong the service life of plastic windows. Consult our Tradition of Excellence Brochure for tips to prolong service life.

Zippers, Fasteners and other Hardware: Always treat zippers and fasteners with care since No Warranty is available from zipper or fastener manufacturers. For all convertible tops with zipper windows, always **unlatch top at front before unzipping, or zipping window closed, except for 1990-97 Mazda Miata Glass Window Tops and Glass Window Upgrades.** We can guarantee only that zippers and fasteners were free of defects at the time of shipment, since we have no control over their use during or after installation.

Thread: Threads currently offered do not offer the color fastness of vinyls, Robbins Sun-Fast, Sun-Fast "G", or Haartz Twillfast cloth sport topplings; and will fade over time. Our black thread offers the highest resistance to fading over any black thread in use, but may fade slightly over time.

Additional Terms and Conditions

Alteration or Modification of our Products: Any alteration, modification, substitution of components, etc. that in any manner alters the appearance or the way in which our products function, automatically voids our Warranty protection.

Disclaimer: We cannot be held responsible for damage caused by Acts of God such as floods, hail storms, tornadoes, earthquakes, etc. There are no additional warranties or guarantees expressed or implied, beyond what is described above. We furthermore do not authorize others to make any claims of merchantability, warranty, fitness, etc., of our products other than what is described above.

Robbins limited warranty applies to the original purchaser of our products. Any sale or transfer of the vehicle to another party may void our warranty. For the Limited Warranty to be valid the warranty card in the box should be completed and returned to us. A copy of the retail invoice from the automotive trim and upholstery shop clearly indicating the ROBBINS product which was installed on your vehicle, should be submitted with any warranty claim. In the event that the warranty card has been lost, your retail invoice can be used to substantiate your claim.

Convertible Owner Warranty Claim Procedures

Should a defect be found in any of our products any warranty adjustment made will be pro-rated based on the length of time our product has been installed. **All requests for warranty claims by convertible owners must be directed to the automotive trim and upholstery shop, or automotive specialist where our product(s) were installed and/or purchased.** The shop will, in turn, contact our distributor from whom our product was ordered, who will forward the request to us.

Convertible Owner Warranty Claim Procedures (Continued)

Our policy is that any warranty adjustment made will be pro-rated based on length of time our product was installed. Products in which a defect is found will be repaired or replaced at our option. While this is not required in all instances, Robbins reserves the right to insist that items for which warranty claims have been made be returned to us for inspection before any adjustment is made. A copy of the retail invoice from the automotive trim and upholstery shop that installed our product(s) on your convertible, or invoice from the automotive specialist where it was purchased, clearly stating the use of our Robbins products, should be submitted with any warranty claim. We stand behind our products, and Customer satisfaction is always the number one priority of our Warranty policy.

Upholstery and Trim Shop Return Procedures

1. Should an automotive defect be found in one of our products, contact the jobber from whom our product was purchased and provide the part number, material, color, date of installation, Jobber invoice number and date, and reason for request credit. While this is not necessary in all instances, Robbins reserves the right to inspect products in which a defect has been reported before credit can be issued.
2. Your jobber will contact Robbins and provide a **Customer Request Form containing our part number, material type and color, Bar Code Label Information, Jobber invoice number, the name, address, and telephone number of your shop, and reason for request for credit.** Robbins will issue a Return Authorization Number to your jobber to pass on to your shop. In the 48 continental states in the USA, Robbins will send a U.P.S. Call tag to pick up our product. The Return Authorization Number must be written on the box and on all related paper work sent with returned item.
3. **To obtain credit, Trimmers need to provide a copy of the invoice from the Jobber from whom they purchased our product, plus a copy of the retail invoice to the convertible owner, to substantiate the date our product was installed.** Failure to provide an invoice copy can result in no credit being issued. Photographs may be required to substantiate requests for R.A. numbers and issuing credit.
4. Our Product must be folded carefully and returned in the same manner it was received, and in the original box. Special attention must be given to tops with plastic windows, and plastic rear window assemblies. Always pack with tissue covering both sides of window, and fold without creasing window.
5. All fasteners, parts and other hardware must be returned with our product.
6. Glass windows must be carefully packed with bubble pack and returned in original box to avoid breakage during shipment.
7. All returned products will be inspected before any credit is issued, and all returned products may be subject to a minimum 10% restocking charge.
8. **Items with less than 10 sales per year, or made in non-original colors and toppings, are non-returnable.**
9. **Items which are past their warranty period are non-returnable.**
10. Manufacturer reserves the right to void all warranties unless product is received in original box, and jobber invoices and retail customer invoice showing installation date are submitted.
11. Robbins will not accept delivery of items shipped to us without a Return Authorization Number, or shipped to us C.O.D.

Labor Credit

After the item reported to be defective has been returned to Robbins for verification that the warranty claim is valid:
*Full labor credit will be issued for warranty claims filed within the first twelve months after installation of our products,
*One-half labor credits will be issued for warranty claims filed in the second year (from the 13th through the 24th month) after installation, and no labor credit will be issued beyond the second year (24th month) after installation. All labor credits will be issued to our distributors who, in turn, will pass these credits on to the automotive trim and upholstery shop performing the warranty replacement. Labor credit is not offered to car owners performing their own installations.
*All labor credits issued will be in the form of products, usually a convertible top made in vinyl of our choice.

CARE OF YOUR CONVERTIBLE TOP

Ask for our Tradition of Excellence brochure which we pack in every box in which our products are shipped. This brochure contains care and cleaning recommendations, and information regarding our warranty policy.

Always Leave a new top and glass or plastic window in the up position for a minimum of 24 hours for tops made in PVC Vinyl toppings, and one week for tops made in cloth toppings, after our products were installed. As convertible top frames age, links and joints wear and top frames do not have the same alignment as when convertibles were new. Leaving convertible tops and glass windows in the up position after installation allows them time to relax and adjust, or become "seasoned" to the top frame.

Always Follow the instructions in your Owner's Manual for lowering and raising your Top, unless Robbins Instructs otherwise.

Always Keep the top well area free of objects, especially if a Glass Window is installed with your Top. Even harmless looking objects such as beach towels can cause glass windows to break. Objects in your top well can further cause unnecessary wear and stress on top frames, plus cause damage to your top and to plastic windows as well.

Always Unlatch Top at front before unzipping, or zipping window closed in any convertible top, unless different instructions appear in your owners manual or Robbins brochure, which overrides this instruction.

Always Keep your Top, Tonneau Cover, Glass or Plastic Window, etc., clean.

Do not Raise or lower convertible tops, glass or plastic window assemblies when the temperature is below 40 degrees (5 degrees Centigrade) since this can cause damage to the topping, plastic windows and other components.

Do not Lower your convertible top, glass or plastic window when the top is wet, to avoid discoloration or other damage to the topping or inside backing.

Do not Store away wet boots or tonneau covers, to avoid discoloration and shrinking that can cause these products to no longer fit.

TIPS FOR CONVERTIBLE OWNERS

Installation of our Products: Robbins strongly recommends that convertible owners always have our convertible tops, glass windows and other products installed at Automotive Upholstery and Trim Shops. Trim Shops have the tools and experience to correctly install our tops and other products on your convertible.

Always watch your convertible top (and glass or plastic window) as it is lowered or raised: Watch for any irregular motion, snagging or other problems. If you notice any problems and your convertible is still under new car Warranty, immediately go to your dealer to have your convertible top frame inspected.

As convertibles age: When convertibles are out of warranty, the top frame, bow links and other frame components may no longer have the alignment they did when your convertible was new. Weatherseals, top frame pads or straps, side and rear cables, rain rails etc., may need to be replaced to avoid water leakage and damage to tops and window assemblies. Not replacing weatherseals can result in wind noise and water leakage when you replace your top. If rust develops on your top frame, have it removed and your top frame repainted to protect your top frame and convertible top.

Leave your Top Up when Not Driving: We strongly recommend that you leave convertible tops latched in the up position overnight or whenever you are not driving your convertible. This will help retain the original shape of your top, resist shrinkage, and avoid crease marks where the top folds when in the down position. Leaving your top up when you are not driving will also help to prolong the service life of plastic windows.

Ask for your Robbins Warranty Card: Robbins packs our warranty card in the box with every product we manufacture. Ask the Automotive Upholstery and Trim Shop which installed your convertible top, glass or plastic window to give you our Warranty Card for your records.

CLEANING OF OUR PRODUCTS

Glass Windows: Glass Windows should be cleaned with water based glass cleaners only. Please be extremely careful when cleaning Heater/Defroster glass windows not to scratch the defroster lines or to break the power source connector wire. Cleaner should never be allowed to drip into seams or heat seals.

Plastic Windows: Plastic windows in convertible Tops should be cleaned **frequently**. Be sure to hose or blow off loose dirt particles from surface first, and then use either plain water or mild soap and water solution. Apply with a soft cloth or tissue to gently clean window. Always clean in a side to side or a top to bottom motion, NEVER in a circular motion, (cleaning in a circular motion can damage plastic windows). There are also several good plastic cleaners available such as "Meguiar's Mirror Glaze Formula 17". Never use harsh brushes or abrasives when cleaning plastic windows.

Use of Vinyl Preservatives We do **NOT** recommend use of penetrating vinyl preservatives, conditioners or dressings on Tops, Tonneau Covers, and other products.

Cleaning Tops, Tonneau Covers and Other Products Made in Cloth or Vinyl Toppings We strongly recommend hand washing convertible tops and other products. Tops and other products made in Vinyl toppings can be cleaned using Vinyl Cleaners such as Malco which are widely available. While Car Washes generally will not harm convertible Tops made in Cloth or Vinyl Toppings, never allow a car wash to apply spray wax to your convertible Top.

To hand wash our products, use Ivory or other mild soap flakes in a bucket of lukewarm water. In hard water areas add Calgon (not to be confused with dishwasher detergent) or other water softener until the water feels slippery.

ALWAYS Wash Tops, Tonneau Covers, etc. in the shade, never in direct sun.

ALWAYS Wash entire Top, Tonneau Cover, etc. Never spot clean to avoid rings or bright spots.

ALWAYS Wet entire car before washing Top. Use sponge or soft bristle brush to apply suds. Do not use a chamois or cloth since these will leave lint on Cloth Tops.

ALWAYS Rinse well with hose, making sure to remove all traces of soap. Wipe off excess water with sponge. Please be careful to hose down entire car to prevent soap from streaking paint.

ALWAYS Install Tonneau Covers and Top Boots after cleaning while still damp to preserve fit and shape.

ALWAYS Try to move Tops into direct sun after cleaning and thorough rinsing to dry. Chamois all excess water off body of car.

DO NOT Use detergents, bleaches, harsh cleansers, cleaners or abrasives.

DO NOT Use dry-cleaning solvents, etc.

DO NOT Use hot water.

DO NOT Lower or cover convertible tops when wet or damp. This can lead to mildew growth and in extreme cases can cause discoloration, or rotting of topping.



ROBBINS 2008 PRODUCT CATALOG (PDF)

<i>ALFA ROMEO</i>			Install Hours	Bow Height	Ship Wt. Lbs.
2012	1956-59	Alfa Giulietta Top. Short Wheel base (No windwing on doors). 1 plastic window. For 1959 with Long Wheel Base order 2016.	5.0		7
2013	1957-59	Alfa Romeo 2 Liter (2000) Top. 6 murphy studs in body. 1 plastic window.	5.0		7
2014	1960-62	Alfa Romeo 2 Liter (2000) Top. 6 Tenax studs in body. 1 plastic window.	5.0		7
2015	2015	Alfa Romeo Giulietta Top. Rear bar bolted to body. 1 plastic window.	5.0		7
2016	1962-63	Alfa Romeo Giulietta Top. Top riveted to rear bar, padded dash, 1 plastic window. Also fits 1959 Giulietta with Long Wheel Base (Windwing on doors.)	5.0		7
2017	1963-66	Alfa Romeo 2600 Top. 1 Plastic Zipper Window.	5.5		7
2018	1964-66	Alfa Giulietta, 1600 Spider, Sprint Top. 1 Plastic Window.	5.0		7
2019	1966	Alfa Romeo GTC Top. 4-Seat, Long Wheel Base, windwing, 1 plastic window.	6.5		9
2020	1967-70	Alfa Duetto, 1600-1750 Spider Top. 1 Plastic Window.	5.0		7
1020	1967-70	Alfa Duetto Spider 1600-1750 Tonneau Cover, with side zippers.	3.0		6
<i>Original Topping for 2012, 2013, 2014, 2015, 2016, 2017, 2018, 2019 and 2020: Black Cotton/Rayon Cloth.</i>					
2021	1971-94	Alfa 1750, 2000 Spider, Graduate, Veloce Top, Non-padded quarters. 1 plastic window. (For Top with padded quarters as original, see 2080R below)	4.5		8
2021R	1971-94	2021 Top with Hand-Rolled Cloth Binding. (For top with hand-rolled Vinyl Binding order 2021RV.)	4.5		8
2080	1971-94	Alfa Romeo 1750, 2000 Spider, Graduate, Veloce, Quadrifoglio Top With padded quarters, 1 plastic window.	4.5		9
2080R	1971-94	2080 Top with Hand-Rolled Cloth Binding. (For Rolled Vinyl binding order 2080RV.)	4.5		9
1021	1971-94	Alfa 1750, 2000 Spider Tonneau Cover, w/side zippers.	3.0		6
B1021	1971-94	Non-Original Top Boot for 1971-94 Alfa Spider. Attaches with Durable snaps. Requires drilling into chrome finish molding to install Durable studs.	2.0		6
CABLES RS	To 1994	Alfa & Fiat Universal side tension cables (pr).	1.0		1
<i>Original Topping for 2021 and 2080: 1971-1981: Black/black Cotton/Rayon Cloth. 1982-1993: Black/Black, Tan Cotton Rayon Cloth, Black/Black Pinpoint Grain Vinyl. 1994: Black/Black Haartz Stayfast Cloth.</i>					
2081	1995-03	Alfa Romeo GTV Spider, Top Only.	6.0		6
PC2081	1995-03	Plastic Window for 2081.	8.0#		4
<i>Original Topping for 2081: Black/Black Haartz Stayfast Cloth.</i>					

<i>AUDI</i>			Install Hours	Bow Height	Ship Wt. Lbs.
†3200C	1992-98	Audi Cabriolet Top. Rainguards above binding. Fits Manual & Power Top Frames.	8.0		(O.S.)*11
†3201C	2003-08	Audi A4 Cabriolet Top with Heated Rear glass. Fits A4 and S4 models. Made with original style extrusions and retainers to assist installation. Top fits to original headliner using OEM style metal brackets.	8.0		(O.S.)*18
†3220C	2000-06	Audi TT Top with Heated Glass Window. Fits first generation TT Only. Rainguards above binding, Original style plastic extrusion sewn to the rear of the top at the body rail.	8.0		(O.S.)*16

*Original Topping: 1992-95 Black, Blue and discontinued colors Sonnenland German Cloth with Black Dobby backing.
1996-98: Black, Blue Haartz Twillfast Cloth w/Black Dobby backing, and Sonnenland Classic German Cloth w/Black Dobby backing.
2003-06 A4: Black, Bordeaux, Jive, Marine Blue Sonnenland A5 German Cloth w/Black Dobby backing.
2000-06 TT: Black, Blue, Euro Green Haartz Twillfast Cloth W/Black Dobby backing.*

#HOURS LISTED ARE FOR INSTALLATION OF TOP AND WINDOW OR HEADLINER ***O.S.=OVERSIZE OR DIM. WEIGHT APPLIES**

©2008 ROBBINS AUTO TOP CO., INC., OXNARD, CALIFORNIA, USA. TEL (877) 404-3200 FAX (805) 604-3201 WWW.ROBBINSAUTOTOP.COM



ROBBINS 2008 PRODUCT CATALOG (PDF)

<i>AUSTIN HEALEY</i>			Install Hours	Bow Height	Ship Wt. Lbs.
2108R	1953-56	A.H. Roadster 100-4 BN1, BN2 Top. Original style one piece Top, Hand-Rolled Binding, French seam darts. 1 sewn Plastic Window. 4 Tenax fasteners.	4.0		7
1103	1954-56	A.H. 100-4 BN1, BN2 Original Long style Tonneau Cover. (Covers dash to body deck, where it attaches like the top).	3.0		6
1103A	1954-56	A.H 100-4 BN1, BN2 Short style Tonneau. (Covers dash to rear edge of cockpit)	3.0		6
1103BR	1956	A.H. 100-4 BN1, BN2 Original style Tonneau Cover, with Hand Rolled Binding.	3.0		6
2104	1957-62	A.H. 100-6 BN6, 3000 BN7 Top. 2-Seat. 4 Tenax fasteners. 1 Plastic Window.	4.0		7
1104	1957-62	A.H. 100-6 BN6, 3000 BN7 Tonneau Cover, 2-Seat Short style.	3.0		6
1104A	1957-62	A.H. 100-6 BN6, 3000 BN7 Tonneau Cover, 2-Seat Original Long Style.	3.0		6
2105	1957-59	A.H. 100-6 BN4, 3000 BT7 Top. 4-Seat. 12 Tenax fasteners. 1 Plastic Window.	4.0		7
2105A	1957-58	A.H. 100-6 BN4 Longbridge Car Top. 4-Seat, frame slides on rail, 1 Plastic Windw. ("Longbridge Car" refers to cars built at the Longbridge, England plant)	5.0		7
2155	1960-62	A.H. 3000 BT7, 4-Seat Top. Frame stores behind seats. 12 Tenax fasteners, 1 Plastic Window.	4.0		7
1105	1957-62	A.H.100-6 BN4, 3000 BT7, 1962 3000 BJ7 Tonneau Cover. 4-Seat. Original style with sleeves. Flap folds back to Murphy studs at back of rear seat.	3.0		6
2156	1962-63	A.H. 3000 BJ7, 4 Seat Top. Fits roll-up door glass. Rear window clips to metal plate at rear. No zipper.	7.0		7
1156	1963-68	A.H. 3000 BJ7, 4 Seat Tonneau Cover, with side zippers.	3.0		6
2156A	1963-68	A.H. 3000 BJ8, 4 Seat Top. Fits Roll-up door glass. Will fit 1962-63 4-Seat BJ7 3000 when metal plate at rear is removed. 1 Plastic Zipper Window.	7.0		7
1157	1963-68	A.H. 3000 BJ8 Tonneau Cover. 4-Seat, Original Style.	3.0		6
B1157	1963-68	A.H. 3000 BJ8 Top Boot. 4-Seat, Original Style.	2.0		6

Original Topping for 2108R, 2104, 2105, 2155, 2156, 2156A: Black and Colors Everflex British Vinyl.

<i>AUSTIN HEALEY SPRITE</i>			Install Hours	Bow Height	Ship Wt. Lbs.
2106	1958-60	A.H. Sprite Top, Metal Rod on Windshield. 3 Plastic Windows.	4.0		7
2106A	1958	A.H. Sprite Top, Snaps on Windshield. 3 Plastic Windows.	4.0		7
1106	1958-61	A.H. Sprite Tonneau Cover, Short style (covers dash to rear edge of cockpit).	3.0		6
1106A*	1958-61	A.H. Sprite Tonneau Cover, Long style (covers dash to rear bar, same as top)	3.0		6
2166	1961-64	A.H. Sprite MK II Top, Metal Rod on Windshield. 3 Plastic Windows.	4.0		7
1166	1962-64	A.H. Sprite MK II Tonneau Cover.	3.0		6
2167	1965-66	A.H. Sprite MK III Top. Roll-up windows. 3 Plastic Windows.	4.0		7
1167	1965-66	A.H. Sprite MK III Tonneau Cover.	3.0		6
1167F	1965-66	A.H. Sprite MK III Tonneau Cover. Made with two original style flaps, two Lift-the-Dot fasteners in straps mount to studs in floor behind seats.	3.0		6
2167A	1967-70	A.H. Sprite MK IV Top. Fits folding top frame, 8 Tenax fasteners. 3 Plastic Windws.	4.0		7
1167A	1967-70	A.H. Sprite MK IV Tonneau Cover, with side zippers.	3.0		6
2168	1970-71	A.H. Sprite MK IV Top. Fits folding top frame, velcro on quarters. 3 Plastic Windows	4.0		7
1168H	1970-71	A.H. Sprite MK IV Tonneau Cover, with headrest pockets and side zippers.	3.0		6

Original Topping for 2106, 2166, 2167, 2167A: Black and Colors Everflex British Vinyl. 2168: Black British Double Coated Vinyl

#HOURS LISTED ARE FOR INSTALLATION OF TOP AND WINDOW OR HEADLINER

*O.S.=OVERSIZE OR DIM. WEIGHT APPLIES

©2008 ROBBINS AUTO TOP CO., INC., OXNARD, CALIFORNIA, USA. TEL (877) 404-3200 FAX (805) 604-3201 WWW.ROBBINSAUTOTOP.COM



ROBBINS 2008 PRODUCT CATALOG (PDF)

<i>BENTLEY</i>			Install Hours	Bow Height	Ship Wt. Lbs.
2450R*	1987-92	Bentley Top with Wool broadcloth lined plastic window assembly and Hand-Rolled Binding, as original. *Must specify Gray or Tan window lining when ordering. Two 3½"x120" topping strips supplied to re-cover rear bow and body lead molding. Headliner not supplied. <i>Original Topping for 2450R: Black and Colors Everflex British Vinyl.</i>	16.0#	23 1/2	12

<i>BMW</i>			Install Hours	Bow Height	Ship Wt. Lbs.
†2708	1977-82	BMW, Baur, 3-Series Rear Plastic Window Assembly . No binding as original.	5.0		6
†2709	1983-91	BMW, Baur, 3-Series Rear Plastic Window Assembly . No binding as original.	5.0		6
<p>NOTE: To cover front hatches and for windshield frame to match rear assy., order 1.33 yards of matching topping, and add 3 additional hours of labor. Windshield must be removed to re-cover windshield frame. <i>Original Topping for 2708: Diamond Grain German Vinyl Black/Black (very similar to our KV Grain Vinyl).</i> <i>Original Topping for 2709: Black, Blue Sonnenland Classic German Cloth with Black Dobby backing.</i></p>					

†2710NR	1987-93	BMW E-30, 318, 325 Manual Top, Hand Rolled Binding , No front metal retainer	9.0	23 1/4	(O.S.)*12
†2710NC	1987-93	BMW E-30, 318, 325 Manual Top, Double-Fold Binding , No front metal retainer	9.0	23 1/4	(O.S.)*12
†2711NR	1991-93	BMW E-30, 318, 325 Power Top, Hand Rolled Binding , No front metal retainer	9.0	23 1/4	(O.S.)*12
†2711NC	1991-93	BMW E-30, 318, 325 Power Top, Double-Fold Binding , No front metal retainer	9.0	23 1/4	(O.S.)*12
2710 & 2711 tops have black extrusion sewn around 1 Green Plastic Window.					
RETAINER 2710	1987-93	BMW E30, 3-Series Metal Header Bow Retainer (BMW Part # 054-31-1-932-704 7)			2
VIDEO 2710	1987-93	Installation video (VHS) for 2710 BMW E30 Tops.			1

CAUTION: Worn top frame straps will prevent top from folding correctly, and cuts or holes may occur when top is operated. Ref. BMW TSB #54 05 93. Replacement is recommended if straps are more than 3 years old.
 Dealer Part Numbers, 54-31-1-971-921 and 54-31-1-971-921 (left & right).

Original Topping for 2710N and 2711N: 1987-93 Black, Blue Brown and discontinued colors Sonnenland Classic German Cloth with Black Dobby backing." 1993 U.S.A. models: Black, Blue and Brown Haartz Twillfast Cloth with Black Dobby backing.

†2712C	1994-95	BMW E36; 318i, 323i, 325i, 328 Top , Relief Pockets at rear quarters.	11.0		(O.S.)*10
†2713C**	1996-99	BMW E36; 318i, 323i, 325i, 328 Top W/Green Plastic Window . No Relief Pockets. **Will retrofit 94-95 Models. New OEM Bowstraps required if retrofitting 94-95. Check bow straps before installing 2712 & 2713 Tops. See Caution note below 2712C and 2713C Tops made with Cloth Binding and original style black extrusion sewn around Green Plastic Window (No OE Style Zipper). Fits with reusable metal front retainer. Headliner not supplied.	11.0		(O.S.)*10

CABLES 2712	1994-99	Side Tension Cables for 2712C and 2713C Tops (pr).			
<p>CAUTION: Worn top frame straps will prevent top from folding correctly, and cuts or holes may occur when top is operated. Replacement is recommended if straps are more than 3 years old. BMW dealer Part# 54 34 8 225 189. <i>Original Toppings for 2712C, 2713C: Black, Mauve Blue, English Green and other colors Haartz Twillfast Cloth with Black Dobby backing.</i></p>					

†2714C	2000-06	BMW E46; 323, 325, 330, M3 Top W/Heater-Defroster Glass Window . Made with OEM style molded plastic retainers to install rear of top to body. Fits to original headliner using our unique system of receptacles into which headliner hooks attach. U.S. Patents 7,051,413 and 7,069,633. <i>Original Topping for 2714C: Black, Blue, Deep Green Haartz Twillfast Cloth (TWR) with Black Dobby backing.</i>	8.0		(O.S.)*19
---------------	----------------	--	-----	--	-----------

#HOURS LISTED ARE FOR INSTALLATION OF TOP AND WINDOW OR HEADLINER ***O.S.=OVERSIZE OR DIM. WEIGHT APPLIES**

©2008 ROBBINS AUTO TOP CO., INC., OXNARD, CALIFORNIA, USA. TEL (877) 404-3200 FAX (805) 604-3201 WWW.ROBBINSAUTOTOP.COM



ROBBINS 2008 PRODUCT CATALOG (PDF)

BMW (Continued)

			Install Hours	Bow Height	Ship Wt. Lbs.
†2750C	1996-02	BMW Z3 and M Roadster Top with Green Plastic Window , A.S.C. Made with original style rear quarter vertical relief pockets added in 1997 by BMW, matching cloth binding, topstitched seams and black extrusion sewn around green plastic window (No Zipper). Fits all 1996-2002 Z3 and M Roadster "E36/7" models.	9.0		(O.S.)*9
CABLES 2750	1996-02	BMW Z3 Side Tension Cable Repair Kit.			1

CAUTION: Severe abrasion of topping, which may lead to cuts and holes developing in tops, and severe creasing of plastic windows can occur due to the design of the top frame assembly, body components and top. Robbins cannot be held responsible for any damage to our products caused by problems described above.

Original Topping for 2750C: Black, Mauve Blue, English Green, Grenadine, Dark Beige Haartz Twillfast Cloth with Black backing.

†2752C	2003-On	BMW E85; Z4 and M Roadster Top with Heated Glass Window and Rainguards. OE style rear rubber weatherseal with metal crimp-on core sewn on to top. Top made with OE style plastic quarter extrusions with metal reinforced holes.	9.0		(O.S.)*19
--------	---------	---	-----	--	-----------

Original Topping for 2752C: Black, Beige (2508), Basalt Gray Haartz Twillfast Cloth (TWR) with Black backing.

COBRA (AC)

			Install Hours	Bow Height	Ship Wt. Lbs.
2512	1964-68	AC Cobra Top . 1 Plastic Window.	6.0		8
1511	1964-66½	AC Cobra Tonneau Cover . Original short style (covers dash to rear edge of cockpit).	3.0		7
1512	1964-68	AC Cobra Tonneau . Long style (covers dash to LTD fasteners on body deck, same as top).	3.0		7

CAUTION: These parts are designed to replace Authentic Cobra original equipment ONLY, and are not designed to fit replica vehicles. If ordering for replica, please check with its manufacturer BEFORE ordering.

All parts are special order - NO RETURNS.

Original Topping for 2512: Black Everflex British Vinyl.

DATSUN

			Install Hours	Bow Height	Ship Wt. Lbs.
2120	To 1965	Datsun Fairlady 1200, 1500 Top . Three top bar locks in rear deck. No cables. 3 Plastic Windows.	6.0		7
1120	1964-65	Datsun Fairlady 1200, 1500 Tonneau Cover . (Fits to mid-1965).	3.0		7
2121	1965½-67	Datsun 1600, 2000, Low windshield Top , Two rear deck top locks. Two front top latches. Uses cables. 3 Plastic Windows.	6.0		7
1121	1965½-67	Datsun 1600, 2000 Tonneau Cover .	3.0		7
2121A	1967-67½	Datsun 1600, 2000 High windshield Top . Sewn-in frame pads. Does not use side cables. 3 Plastic Windows.	6.0		7
1121H	1967-67½	Datsun 1600,2000 Tonneau Cover , with Headrest Pockets.	3.0		7

Original Topping for 2120, 2121, 2121A: Black Cotton Cloth.

NOTICE: Datsun Roadsters were titled according to the year they were originally sold, not necessarily their "model year" (e.g. A true 1968 and a true 1970 may both be registered as a 1969). To ensure you order the correct part, first review ALL information for product(s) offered for the model year of inquiry, as well as prior and following years. Please call if you aren't sure which product to order.

#HOURS LISTED ARE FOR INSTALLATION OF TOP AND WINDOW OR HEADLINER

*O.S.=OVERSIZE OR DIM. WEIGHT APPLIES

©2008 ROBBINS AUTO TOP CO., INC., OXNARD, CALIFORNIA, USA. TEL (877) 404-3200 FAX (805) 604-3201 WWW.ROBBINSAUTOTOP.COM



ROBBINS 2008 PRODUCT CATALOG (PDF)

<i>DATSUN (Continued)</i>			Install Hours	Bow Height	Ship Wt. Lbs.
2122	1968-69	Datsun 1600, 2000 Top. Two front top latches.	6.0		7
1122H	1968-69	Datsun 1600, 2000 Tonneau Cover, with Headrest Pockets.	3.0		7
B1122	1968-69	Datsun 1600, 2000 Top Boot.	1.0		7
2123	1968½-71	Datsun 1600, 2000 Top. Three Front Top Latches. Top made with sewn-in Top frame pads. 3 Plastic Windows.	6.0		8
1123H	1970-71	Datsun 1600, 2000 Tonneau Cover, with Headrest Pockets.	3.0		7

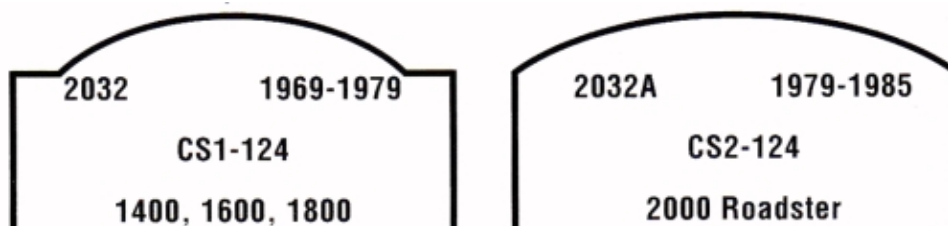
NOTE: See notice on previous page before ordering the above products.
Original Topping for 2122 and 2123: Black Pinpoint Grain vinyl.

<i>FERRARI</i>			Install Hours	Bow Height	Ship Wt. Lbs.
2799RV	1967	Ferrari 330 GTS Top. Mounts outside body at rear, and is covered with chrome molding. 1 Plastic Window.	8.0		8
2800RV	1966-67	Ferrari 275, 330 Top. Mounts inside body at rear with rod through sewn sleeve. 1 Plastic Window.	8.0		8
2801RV	1971-On	Ferrari 365 GTB/4 (Daytona) Top. Hand-Rolled Colonial Vinyl Binding as original. 1 Plastic Window.	8.0		8
2802R	1984-94	Ferrari Mondial Cabriolet Top Hand-Rolled Binding as original. 1 Plastic Window.	8.0		8

Original Topping for 2799, 2800 and 2801: Black Cotton/Rayon Cloth. 2802: Black Cotton/Rayon Cloth, Black/Black Sonnenland German Cloth.

<i>FIAT</i>			Install Hours	Bow Height	Ship Wt. Lbs.
2029	1959	Fiat 1100 Top. 1 Plastic Window.	5.0		9
2030	1960-63	Fiat 1200 Top. 1 Plastic Window.	5.0		7
2030A	1964-66	Fiat 1500 Top. 1 Plastic Window.	5.0		7
Original Topping for 2029, 2030 and 2030A: Black Cotton/Rayon Cloth.					
2031	1967-73	Fiat 850 Top. 1 Plastic Window.	5.0		7
Original Topping for 2031: Black Pinpoint Grain Vinyl.					

Fiat 124 Sports Roadster--Front Bow End Contour



2032	1966-*79	Fiat 124-CS1, 1600, 1800, 2000 Sports Roadster Top, Plastic reinforcement in rear sleeve. *Fits some early 79 models, See Diagram. 1 Plastic Window.	5.0		7
2032A	*1979-85	Fiat 124-CS2, 2000 Sports Roadster, Pininfarina Top, Plastic reinforcement in rear sleeve.*Some 1979 models require 2032, See Diagram. 1 Plastic Window.	5.0		7

NOTE: Always check Fiat 124-CS1 and CS2 header bow before ordering 2032 or 2032A tops.

#HOURS LISTED ARE FOR INSTALLATION OF TOP AND WINDOW OR HEADLINER

*O.S.=OVERSIZE OR DIM. WEIGHT APPLIES

©2008 ROBBINS AUTO TOP CO., INC., OXNARD, CALIFORNIA, USA. TEL (877) 404-3200 FAX (805) 604-3201 WWW.ROBBINSAUTOTOP.COM



ROBBINS 2008 PRODUCT CATALOG (PDF)

FIAT (Continued)

			Install Hours	Bow Height	Ship Wt. Lbs.
1032	1966-69	Fiat 124-CS1, 1600,1800,2000 Sports Roadster Tonneau Cover, side zippers.	3.0		6
1032H	1970-79	Fiat 124-CS1 1600,1800, 2000 Sports Roadster Tonneau , Headrest Pockets.	3.0		6
1032A	1979-85	Fiat 124-CS2 Sports Roadster 2000, Pininfarina Tonneau Cover.	3.0		6
Cables RS		Replacement Side Cables, pr.			
<i>Original Topping for 2032: Black Cotton Rayon Cloth.</i>					
<i>Original Topping for 2032A: Black/Black, Dark Tan/Black KV Pinpoint Grain Vinyl.</i>					

2070	1968-75	Fiat Siata, Siata Spring Top. 1 Plastic Window.	5.0		7
CABLES RS		Fiat & Alfa Universal side tension cables (pr)			
<i>Original Topping for 2070: Black Cotton/Rayon Cloth</i>					

2071	1995-05	Fiat Barchetta Top. Made with original style embossed stitch, and piping, original style elastic at front quarters, and rubber bulb extrusion pieces at bottom of rear quarters. 1 Plastic Window (No Zipper.)	8.0		8
<i>Original Topping for 2071: Black/Black Vinyl</i>					

FORD (of EUROPE) ESCORT

			Install Hours	Bow Height	Ship Wt. Lbs.
2550	1983-*91	Ford Escort Top. Fits to factory glass rear window. Cable at rear.	6.0		9
950L	1983-*91	Ford Escort Headliner. Made with heat-sealed seams as original. *2550 and 950L Fit models manufactured 1983 through August 1991.	8.0#		7
2551	*1991-97	Ford Escort Top. Original style extrusions and heat-sealed quarters. Fits to factory glass rear window. No cable at rear.	6.0		9
951L	*1991-97	Ford Escort Headliner. Factory extrusions must be sewn onto headliner. *2551 and 951L Fits models manufactured beginning September 1991.	8.0#		7

Original Topping for 2550 and 2551: Black, Blue, Red and White Escort Grain German Vinyl.

Original Topping for 950L and 951L Headliner: Black and/or White (Crater Grain) Vinyl.

HILLMAN MINX

			Install Hours	Bow Height	Ship Wt. Lbs.
2602	1957-59	Hillman Minx Top. 1 Plastic Window. For sewn-in pads, order 2602P.	8.0		9
2602P	1957-59	Same Top as above (2602) made with sewn-in pads.	8.0		11
2603	1960-63	Hillman Minx Top. 1 Plastic Window. For sewn-in pads, order 2603P.	8.0		9
2603P	1960-63	Same Top as above (2603) made with sewn-in pads.	8.0		11
2604	1964-67	Hillman Minx Top. 1 Plastic Window.	8.0		9
<i>Original Topping for 2602, 2603 and 2604: Black and colors Everflex British Vinyl.</i>					

HONDA

			Install Hours	Bow Height	Ship Wt. Lbs.
2529	1963-64	Honda S-500 Convertible Top. 3 Plastic Windows with zipper center window.	6.0		8
2530	1964-66	Honda S-600, 1966-67½ S-800 Lower Height Frame Top. 3 Plastic Windows.	6.0		8
2530Z	1966-67	Same top as 2530 with non-original Zipper Rear Window.	6.0		8
2532	1964-66	Honda S-600 Convertible Top. 1 Plastic Window Only. No zipper	6.0		8
2531	*1967-70	Honda, Late 1967-70 S-800 Convertible Higher Frame Top. 3 Plastic Windows.	6.0		8
2531Z	*1967-70	Same top as 2531 with a non-original Zipper Rear Window.	6.0		8

Original Topping for 2529, 2530, 2532, 2531: Pinpoint Grain Black Single Texture vinyl.

#HOURS LISTED ARE FOR INSTALLATION OF TOP AND WINDOW OR HEADLINER

*O.S.=OVERSIZE OR DIM. WEIGHT APPLIES

©2008 ROBBINS AUTO TOP CO., INC., OXNARD, CALIFORNIA, USA. TEL (877) 404-3200 FAX (805) 604-3201 WWW.ROBBINSAUTOTOP.COM



ROBBINS 2008 PRODUCT CATALOG (PDF)

<i>HONDA (Continued)</i>			Install Hours	Bow Height	Ship Wt. Lbs.
2533	1991-95	Honda Beat Top and 1 Zipper Plastic Window. <i>Original Topping for 2533: Black Honda Beat Grain vinyl.</i>	6.0		
2535	2000-01	Honda S-2000 Top , No Rain Rail, Original Style Zipper and Original Style Die Cut Plastic Retainers. 1 Green Plastic Window. NOTE: No Warranty against creasing, scratching or breaking of plastic windows in 2535 Tops.	8.0		9
2537	2000-01	Honda S-2000 Top with Non-Orig. Glass window upgrade. Before installing top, Retrofit Bowstrap Kit must be installed (included in box). Two Tenax studs in well area must be replaced with Nylon Push Fasteners (included in box). No zipper, No Rain Rail.	10.0		(O.S.)*16
2538	2000-01	Honda S-2000 Top with Non-Orig. Heated Glass upgrade. Before installing top, Retrofit Bowstrap Kit must be installed (included in box). Two Tenax studs in well area must be replaced with nylon Push Fasteners (included in box). No zipper, No Rain Rail. Order Wiring Connector from Honda Dealer, Part # 32120SZAA03.	10.0		(O.S.)*16
2540	2002-On	Honda S-2000 Top with Heated Glass Window. Top made with original style die cut plastic retainers. No Rain Rail. CAUTION: Carefully remove 5 plastic trim pieces to avoid breaking clips. <i>Original Topping for 2535, 2537 and 2540: Black/Black Trilaminare Twill Grain PVC topping.</i>	9.5		(O.S.)*16

<i>ISUZU AMIGO</i>			Install Hours	Bow Height	Ship Wt. Lbs.
7370	1989-94	Isuzu Amigo Top. Original style plastic extrusions and Black Covered Lift-the-Dot fasteners, all other fasteners black finish. Non-original durable fasteners at rear. All seams topstitched and heat-sealed. Zippers sewn on sides of rear window. Dual plastic quarter windows on each side. <i>Original Topping for 7370: Black/Black (Japanese Vinyl Not Available). We recommend Amigo tops be ordered in JD BKD Black/Gray Denim Grain Vinyl, which is nearly identical in appearance and stronger than the original topping.</i>	1.0		(O.S.)*13

<i>JAGUAR 1949-74</i>			Install Hours	Bow Height	Ship Wt. Lbs.
†2412	1949-51	Jaguar XK120 Roadster Top. Unmodified small top. 2 Durables on each side. 1 Zipper Plastic Window.	8.0		6
†2412N	1949-51	Same Top as above (2412) with No Plastic Window (blank rear panel).	8.0		6
1410	1949-50	Jaguar XK120 Roadster Tonneau Cover. Original long style, 2 Durable snaps on each side. For 1951 see Part# 1411.	3.0		6
1410A	1949-50	Jaguar XK120 Roadster Tonneau Cover. Short style. For 1951 see Part# 1411A.	3.0		6
†2413	1952-57	Jaguar XK120, XK140 Roadster Top. 3 Durable snaps on each side. No zippers. 1 Plastic Window.	8.0		8
†2413N	1952-57	Same Top as above (2413) with No Plastic Window installed.	8.0		8
†2413Z	1952-57	Jaguar XK120, XK140 Roadster Top. Original style 3 zipper rear window assembly. 3 Durable snaps on each side. 1 Plastic Window.	8.0		8
†2413ZN	1952-57	Same Top as above (2413Z) with No Plastic Window (blank rear panel).	8.0		8
1411	1951-54	Jaguar XK120 Roadster Tonneau Cover. Original long style.	3.0		6
1411A	1951-54	Jaguar XK120 Roadster Tonneau Cover. Short style.	3.0		6
1413	1955	Jaguar XK140 Roadster Tonneau Cover. Original long style.	3.0		6
1413A	1956-57	Jaguar XK140 Roadster Tonneau Cover. Original short style.	3.0		6

#HOURS LISTED ARE FOR INSTALLATION OF TOP AND WINDOW OR HEADLINER

*O.S.=OVERSIZE OR DIM. WEIGHT APPLIES

©2008 ROBBINS AUTO TOP CO., INC., OXNARD, CALIFORNIA, USA. TEL (877) 404-3200 FAX (805) 604-3201 WWW.ROBBINSAUTOTOP.COM



ROBBINS 2008 PRODUCT CATALOG (PDF)

<i>JAGUAR 1949-74 (Continued)</i>			Install Hours	Bow Height	Ship Wt. Lbs.
†2414	1952-57	Jaguar XK120, XK140 Drophead (*Padded) Convertible Top. 1 Zipper Plastic Window. *Pad and Headliner not supplied.	8.0		9
†2414N	1952-57	Same Top as above (2414) with No Plastic Window (blank rear panel).	8.0		9
†2415	1958-60	Jaguar XK150 Roadster Top. 1 Zipper Plastic Window.	8.0		8
†2415N		Same Top as above (2415) with No Plastic Window (blank rear panel).	8.0		8
1415	1958-61	Jaguar XK150 Roadster Long Style Tonneau Cover, with side zippers. Covers boot area and attaches to rear deck.	3.0		6
1415A	1958-61	Jaguar XK150 Roadster Tonneau. Original short style. Fits to folding boot bar.	3.0		6
†2416	1958-60	Jaguar XK150 Drophead (*Padded) Convertible Top. 1 Zipper Plastic Window. *Pad Headliner not supplied.	8.0		9
†2416N		Same Top as above (2416) with No Plastic Window (blank rear panel).	8.0		9
<i>Original Topping for 2413, 2414, 2415, 2416: Black and Tan Cotton Cloth.</i>					
†2417	1961-71	Jaguar XKE Roadster & E-Type Top. 1 Plastic Window.	5.0		7
†2417Z	1961-71	Same Top as above (2417) with Non-Original Zipper Window.	5.0		7
1417	1961-71	Jaguar XKE Roadster & E-Type Tonneau Cover, with side zippers.	3.0		6
2417WS	1961-71	Jaguar XKE Original Style 3-piece wood tack strip.	2.5		3
<i>Original Topping for 2417: Black and Colors Everflex British Vinyl.</i>					
†2418	1972-74	Jaguar E-Type V12 Top. 1 Plastic Window.	5.0		7
B1418	1972-74	Jaguar E-Type V12 Top Boot.	1.0		6
<i>Original Topping for 2418: Black British Double Coated Vinyl.</i>					
<i>1988 JAGUAR, Hess & Eisenhardt</i>			Install Hours	Bow Height	Ship Wt. Lbs.
†2419	1988	Jaguar, Hess & Eisenhardt Top. Look for nameplate in driver's doorjamb or trunk lid to identify. Headliner not supplied.	8.0		8
HD219	1988	Refurbished Glass Rear Window for 2419 Top. Customer Must Supply Original Glass to be installed in new window curtain. No delamination warranty. We cannot accept responsibility for breakage, scratches, failed defroster. Must obtain reference number from Robbins before sending original glass.	10.0#		(O.S.)*16
†PC2419	1988	Non-Original Plastic Window for 2419 Top. Plastic sewn (heat-sealed when ordered in vinyl) into same curtain as offered for HD219.	10.0#		5
<i>Original Topping for 2419: Black Stayfast Cloth; discontinued (GM) Light Saddle Double Texture Vinyl.</i>					
<i>1989-06 JAGUAR</i>			Install Hours	Bow Height	Ship Wt. Lbs.
†2422R	1989-96	Jaguar XJS Top Only. Fits to Factory Glass Window. Made with Hand-Rolled Binding and Rainguards as original*. (*1989 models originally had no binding or rainguards)	8.0		8
<i>Original Topping for 2422R: Black, Blue and Brown Sonnenland Classic German Cloth with Tan Dobby backing.</i>					
†2423C	1997-06	Jaguar XK8, XKR Top. Fits to factory heated glass window. Top made with Cloth binding and later style (high) rainguards.	8.0		(O.S.)*9
CAUTION: Call an auto glass shop to remove old glass and reinstall in our 2423C top.					
<i>Original Topping for 2423C: 1997 Black, Beige, Blue Sonnenland A5 German Cloth with black doobby backing. 1998-2001 Black, Beige, Blue Racing Green Haartz Twillfast Cloth with black doobby backing. 2002-06 Black, Beige, Blue, Black Green, Gray Beige A5 German cloth with black doobby backing.</i>					
#HOURS LISTED ARE FOR INSTALLATION OF TOP AND WINDOW OR HEADLINER			*O.S.=OVERSIZE OR DIM. WEIGHT APPLIES		

©2008 ROBBINS AUTO TOP CO., INC., OXNARD, CALIFORNIA, USA. TEL (877) 404-3200 FAX (805) 604-3201 WWW.ROBBINSAUTOTOP.COM



ROBBINS 2008 PRODUCT CATALOG (PDF)

<i>JENSEN</i>			Install Hours	Bow Height	Ship Wt. Lbs.
2440	1972-75	Jensen Healey Roadster Top. 1 Plastic Window.	3.0		7
1440	1972-75	Jensen Healey Roadster Tonneau Cover, with side zippers.	3.0		6
B1440	1972-75	Jensen Healey Top Boot.	1.0		6
2441	1974-76	Jensen Interceptor Convertible Top. 1 lined Zipper Plastic Window. Must Specify gray or tan window lining when ordering. Headliner not supplied.	16.0		9
2441R	1974-76	Jensen Interceptor Convertible Top. Made with original style Hand-Rolled Binding and imported wool Broadcloth window lining. Must specify gray or tan lining when ordering. 1 lined, zipper Plastic Window. Headliner not supplied.	16.0		9

Original Topping for 2440 and 2441: Black and colors British Everflex Vinyl.

<i>KARMANN GHIA</i>			Install Hours	Bow Height	Ship Wt. Lbs.
2025	1958-66	Karmann-Ghia Top. Staples outside to rail. 1 Plastic Window. No Headliner.	5.0		8
2025Z		Same Top as above (2025) with non-original Zipper Plastic Window.	5.0		8
2025A	1966-67	Karmann Ghia model CNV 141 Top. Starts with VIN #147610909. Staples outside to rail. Headliner not supplied. 1 Plastic Window.	6.0		8

Original Topping for 2025 & 2025A: Black Cotton Cloth.

2024	1967½-69	Karmann Ghia Model CNV 1411 Top Attaches at rear with cable. 1 Plastic Window. Headliner not supplied.	6.0		8
2024A	1969½-76	Karmann Ghia Top, with rubber seal for rear glass. Original style Heat-sealed quarters. Top fits to Factory Glass Window. Attaches to body at rear with cable. Headliner not supplied.	6.0		8
CABLES VWRS	1967½-76	Karmann Ghia, VW Beetle, Rabbit, Cabriolet Side Tension Cables (pr).C227			1
CABLE 2024 REAR	1967½-76	Karmann Ghia rear mounting cable for 2024 and 2024A Tops.			1
CABLE WINDOW	1969½-76	Karmann Ghia rear window cable for 2024A Top. Cable fits around window.			1

Original Topping for 2024 & 2024A: Black Diamond Grain German Vinyl.

<i>LANCIA</i>			Install Hours	Bow Height	Ship Wt. Lbs.
2600R	1979-81	Lancia Zagato Top, with original style Hand-Rolled Binding. 1 Plastic Window.	4.0		6

Original Topping for 2600R: Black Cotton/Rayon Cloth.

<i>LOTUS</i>			Install Hours	Bow Height	Ship Wt. Lbs.
2505	1961-66	Lotus Elan S-1, 1600 S-2 Roadster Top. 3 Plastic windows.	5.0		7
1505	1961-66	Lotus Elan S-1, 1600 S-2 Tonneau Cover. Side Zippers, No Headrest Pockets.	3.0		7
2506	1967-72	Lotus Elan S-3, S-4 Drophead Top. Solid door window frame. 3 Plastic Windows.	5.0		7
B1506	1967-72	Lotus Elan S-3, S-4 Drophead Top Boot.	2.0		6

Original Topping for 2505 and 2506: Black Everflex British Vinyl.

#HOURS LISTED ARE FOR INSTALLATION OF TOP AND WINDOW OR HEADLINER

*O.S.=OVERSIZE OR DIM. WEIGHT APPLIES

©2008 ROBBINS AUTO TOP CO., INC., OXNARD, CALIFORNIA, USA. TEL (877) 404-3200 FAX (805) 604-3201 WWW.ROBBINSAUTOTOP.COM



ROBBINS 2008 PRODUCT CATALOG (PDF)

<i>MASERATI</i>			Install Hours	Bow Height	Ship Wt. Lbs.
-----------------	--	--	---------------	------------	---------------

2320R	1986-89	Maserati Bi-Turbo Top. Hand-Rolled Binding, Non-original Velour window lining. MUST SPECIFY GRAY OR TAN WINDOW LINING. 1 Plastic Window. Headliner not supplied.	6.0		8
--------------	----------------	---	-----	--	---

Original Topping for 2320R: Black, Blue Sonnenland Classic German Cloth with Tan Dobby backing.

5400C	1989-91	Chrysler Maserati TC Top Only. Made with matching cloth binding. Fits with factory rear glass. Replacement glass window Not Available.	8.0		9
--------------	----------------	--	-----	--	---

Original Topping for 5400C: Haartz Black Stayfast Cloth with black backing.

<i>MAZDA MX5 MIATA</i>			Install Hours	Bow Height	Ship Wt. Lbs.
------------------------	--	--	---------------	------------	---------------

1990-05 TOPS WITH PLASTIC WINDOW

2900	1990-97	Mazda MX5 Miata Original Style Top with Plastic Window. Fits 1990-97 Only. Made with original style die cut plastic retainer pieces and wide textured heat-seal around plastic window. Single Ring Pull permits zip-in installation of replacement plastic windows or glass window upgrades shown below. No Rain Rail.	5.0		12
-------------	----------------	--	-----	--	----

2901	1990-97	Same top as above, with Rain Rail.	4.25		(O.S.)*14
-------------	----------------	---	------	--	-----------

2904	1990-05	Mazda MX5 Miata Budget Top with Plastic Window. Non-Original One Piece Design, No Deck Seams, No Zipper. Before installing top on 1990-97 models, New Bow Straps must be installed (included in box). Add 30 minutes to labor time to install new Bow Straps. No Rain Rail.	5.0		9
-------------	----------------	---	-----	--	---

2905	1990-05	Same top as above, with Rain Rail.	4.25		(O.S.)* 12
-------------	----------------	---	------	--	------------

Original Topping 1990-97 Miata: Black/Black, Light Tan/Black (LTB) German Cabrio Grain Vinyl.

Original Topping 1999-2002 Miata: Black/Black, Light Tan/Black (LTB) German Cabrio Grain Vinyl.

Original Topping 2003-2005 Miata: Black/Black, Parchment/Black German Cabrio Grain Vinyl; Black, Medium Neutral,

Dk. Blue, Gray Haartz Stayfast Cloth with Black backing.

1990-2005 TRADITIONAL STYLE GLASS WINDOW TOPS

2960	1990-05	Mazda MX5 Miata Original Style Top, with Heater/Defogger Glass Window. No Black plastic extrusion around glass. Before installing top on 1990-97 models, New Bow Straps must be installed on frame (included in box). Add 30 minutes to labor time to install new Bow Straps. Die cut plastic retainer pieces. No Rain Rail.	6.50		(O.S.)*18
-------------	----------------	--	------	--	-----------

2961	1990-05	Same top as above, with Rain Rail.	5.75		(O.S.)*20
-------------	----------------	---	------	--	-----------

2962	1990-05	Mazda MX5 Miata Original Style Top, with Zipper Heater/Defogger Glass. Single Ring Pull Zipper does not have to be unzipped to lower top. Before installing top on 1990-97 models, New Bow Straps must be installed on on frame (included in box). Add 30 minutes to labor time to install new Bow Straps. Die cut plastic retainer pieces. No Rain Rail.	6.50		(O.S.)*18
-------------	----------------	--	------	--	-----------

2963	1990-05	Same top as above, with Rain Rail.	5.75		(O.S.)*20
-------------	----------------	---	------	--	-----------

NOTE: 1990-97 models require Three Wire Connector to operate rear defogger. See next page for details.

Important Notes, Original Toppings and Parts & Accessories following...

#HOURS LISTED ARE FOR INSTALLATION OF TOP AND WINDOW OR HEADLINER

*O.S.=OVERSIZE OR DIM. WEIGHT APPLIES

©2008 ROBBINS AUTO TOP CO., INC., OXNARD, CALIFORNIA, USA. TEL (877) 404-3200 FAX (805) 604-3201 WWW.ROBBINSAUTOTOP.COM



MAZDA MX5 MIATA (Continued)

			Install Hours	Bow Height	Ship Wt. Lbs.
2964	1990-05	Mazda MX5 Miata Original Style Top, with Zipper. Non-Heated Glass. Single Ring Pull Zipper does not have to be unzipped to lower top. (Same top as 2962, made with Non-Heated glass). Before installing top on 1990-97 models, New Bow Straps must be installed on top frame (included in box). Add 30 minutes to labor time to install new Bow Straps. Die cut plastic retainer pieces. No Rain Rail.	6.50		(O.S.)*18
2965	1990-05	Same top as above, with Rain Rail.	5.75		(O.S.)*20



1990-05 NEW ONE-PIECE STYLE TOPS WITH GLASS

2916	1990-05	Mazda MX5 Miata Non-Original Top, with Heater/Defogger Glass Window. One Piece Design, No Deck Seams, No Zipper. Before installing top on 1990-97 models, New Bow Straps must be installed on top frame (included in box). Add 30 minutes to labor time to install new Bow Straps. Die cut plastic retainer pieces. No Rain Rail.	6.50		(O.S.)* 18
2917	1990-05	Same top as above, with Rain Rail.	5.75		(O.S.)* 18

NOTE: 1990-97 models require Three Wire Connector to operate rear defogger. See details below.



2918	1990-05	Mazda MX5 Miata Non-Original Top, with Non-Heated Glass Window. One Piece Design, No Deck Seams, No Zipper. (Same top as 2916, made with non-heated glass). Before installing top on 1990-97 models, New Bow Straps must be installed on top frame (included in box). Add 30 minutes to labor time to install new Bow Straps. Die cut plastic retainer pieces. No Rain Rail.	6.50		(O.S.)* 18
2919	1990-05	Same top as above, with Rain Rail.	5.75		(O.S.)* 18

Important Notes, Original Toppings and Parts & Accessories following...



MAZDA MX5 MIATA, WARNINGS

IMPORTANT B-PILLAR RETAINER note and diagram for all 1990-2005 Miata tops:

IMPORTANT	
<p>MAZDA PART NOS. RIGHT SIDE: NA01-R1-271</p> <p>LEFT SIDE: NA01-R1-272</p>	
<p>B-PILLAR RETAINER: Early models may not have the B-Pillar Retainers as pictured. THESE MODELS MUST BE UPDATED TO AVOID ABRASION DAMAGE TO TOP.</p>	<p>B-PILLAR RETAINER</p> <p>Check to make certain that these retainers are installed before beginning replacement top installation.</p> <p>THESE RETAINERS MUST BE INSTALLED TO AVOID ABRASION DAMAGE TO TOP.</p>

NOTE: 1990-92(?) models are not wired for rear defrost. Many 1993-97 models are not equipped with a separate switch to operate the rear defroster: Some are defroster ready—needing only the three wire connector, while others may require purchasing a switch, relay and three wire connector. 1996-97 models equipped for the optional hard top are fully equipped for rear defrost.

WARNING, 1990-97 Miata: If 1990-97 Miata is not equipped with a switch to activate the heater/ defogger, the heater grid is automatically activated when the fan switch is turned on. To avoid damage to top or area behind seats. **DO NOT TURN ON FAN, HEATER, OR AIR CONDITIONING when Top is lowered.**



First Generation Mazda MX5 Miata Fan switch

1990-97 Miata Defroster Wiring: To install our 2916/2917, 2960/2961 or 2962/2963 tops with Heater/Defroster glass on *1990-97 models requires use of Mazda OE three wire connector Part # N007-67-060A. This three wire connector is available at Mazda dealers in the U.S. for approximately \$135.00

Original Topping 1990-1997 Miata: Black/Black, Light Tan/Black (LTB) German Cabrio Grain Vinyl.

Original Topping 1999-2002 Miata: Black/Black, Light Tan/Black (LTB), Blue/Black (anniversary edition only) German Cabrio Grain Vinyl.

Original Topping 2003-2005 Miata: Black/Black, Parchment/Black German Cabrio Grain Vinyl; Black, Medium Neutral, Dk. Blue, Gray Haartz Stayfast Cloth with Black backing.

Parts & Accessories Next Page...



ROBBINS 2008 PRODUCT CATALOG (PDF)

MAZDA MX5 MIATA, 1990-05 PARTS & ACC.

			Install Hours	Bow Height	Ship Wt. Lbs.
PC2900	1990-97	Mazda MX5 Miata Replacement Plastic Window for Factory Top.	6.0		
PC2900Z	1990-97	Mazda MX5 Miata Replacement Plastic Window Robbins 2900, 2901 Tops.	3.2		
RAIN RAIL	1990-05	Mazda MX5 Miata Rain Rail (ea).			
CABLES 2900	1990-97	Mazda MX5 Miata Side Tension Cables (pr).			
1900H	1990-97	Mazda MX5 Miata Tonneau Cover w/Headrest Pockets, for Plastic Window Top.	1.0		
1902H	1990-97	Mazda MX5 Miata Tonneau Cover w/Headrest Pockets, for Glass Window Top.	1.0		
B1900	1990-97	Miata MX5 Boot for Plastic Window Top.	N/A		
B1902	1990-97	Miata MX5 Boot for Glass Window Top.	N/A		
WIRING LOOM MK1	*1991-97	Miata MX5 Three Wire Connector for Rear Defogger. Use of our 2960/2961, 2962/2963 or 2916/2917 tops with Heater/Defroster glass on *1991-97 models requires a three wire connector in order for defroster to be functional.			1

*1990 models are not wired for defogger. Any attempt to wire these vehicles for rear defrost should be performed by an automotive wiring professional. Many 1991-95 models are not equipped with a separate switch to operate the defroster; use caution as these operate when the fan switch is turned to any ON position.

CABLES 2960	1999-05	Mazda MX5 Miata Side Tension Cables (pr)			
1904H	1999-00	Miata MX5 Tonneau Cover with Headrest Pockets.	1.0		
1905H	2001-03	Miata MX5 Tonneau Cover with Headrest Pockets. Fits vehicles NOT equipped with wind blocker thru 2005	1.0		
B1904	1999-05	Miata MX5 Top Boot	N/A		

MAZDA MX5 MIATA, 20006-ON

			Install Hours	Bow Height	Ship Wt. Lbs.
2968	2006-On	Mazda Miata MX5 Top with Heater/Defogger Glass. Original Style One Piece Design with Listing Panel, No Deck Seams and No Zipper. Rainguards sewn along sides of top. Rain Rail not available (Must reuse original rain rail).	6.0		(O.S.)* 18

Original Topping 2006-On MX5 Miata: Black/Black, Parchment/Black German Cabrio Grain Vinyl Black, Brick (2944) Haartz Stayfast Cloth with Black backing. Note: Brick (2944) Stayfast is not offered at the time of this listing.

MAZDA RX-7

			Install Hours	Bow Height	Ship Wt. Lbs.
2930	1988	Mazda RX-7 Complete Top and Rear Window Assembly, No Rainguards.	6.0		9
2931	1989-92	Mazda RX-7 Complete Top and Rear Window Assembly, with Rainguards. 2930 and 2931 tops fit to factory tops. Rear window assembly made with original style drain hoses and plastic reinforcement at bottom. Must reuse factory metal retainer from old top to install rear window assembly. Headliner not supplied. 2931 will fit 1988 RX7 (The only difference is Rainguards).	6.0		9
2940	1988	Front hatch cover only, Without Rainguards as original for 1988.	2.0		3
2941	1989-92	Front hatch cover only, With Rainguards. 2941 Will retrofit to 1988 RX7.	2.0		3
2950	1988-92	Rear convertible assembly. Fits to factory rear glass. Glass not offered. Made with original style drain hoses and plastic reinforcement at bottom.	4.0		7

Original Topping for 2930, 2931, 2940, 2941 and 2950: Black/Black Diamond Grain German Vinyl. (Our KV Grain Vinyl is a close match to the original topping).

#HOURS LISTED ARE FOR INSTALLATION OF TOP AND WINDOW OR HEADLINER

*O.S.=OVERSIZE OR DIM. WEIGHT APPLIES

©2008 ROBBINS AUTO TOP CO., INC., OXNARD, CALIFORNIA, USA. TEL (877) 404-3200 FAX (805) 604-3201 WWW.ROBBINSAUTOTOP.COM



ROBBINS 2008 PRODUCT CATALOG (PDF)

<i>MERCEDES BENZ</i>			Install Hours	Bow Height	Ship Wt. Lbs.
†2033R	1956-63	Mercedes 190SL Top. Hand-Rolled Binding. 1 Plastic Window.	5.0		8
†2033ZR	1956-63	Same top as above made with Non-Original Zipper Window.	5.0		8
†2034AR	1958-63	Mercedes 300SL Roadster Top. Made with Hand-Rolled Binding and original style sewn-in side cables. 1 Plastic Window. Not offered in vinyl.	8.0		8
†2035R*	1958-62	Mercedes 220S, 220SE Top with original style Hand-Rolled Binding 1 Lined Zipper Plastic Window. *Must specify Gray or Tan window lining when ordering. Headliner not supplied.	8.0		9
<i>Original Topping for 2033R, 2034R and 2035R: Black, Blue, Brown and other colors Cotton/Rayon Cloth with Tan Backing (not available).</i>					
†2038R*	1963-72	Mercedes 220SE, 250SE, 280, 300SE Top. Model W111. Hand-Rolled Binding. 1 Lined Plastic Window. *Must specify Lt. Tan or Gray window lining when ordering. Headliner not supplied.	8.0		9
†2037R	1964-72	Mercedes 230SL, 250SL and 280SL 3 Bow Top. Model W113. #3 Bow is wood. Early 230SL tacks to rear bow. Hand-Rolled Binding. Seams and windows sealed.	6.0	20 1/2	9
†2039R	1964-72	Mercedes 230SL, 250SL and 280SL 4 Bow Top. Model W113. Early 230SL tacks to rear bow. Hand-Rolled Binding. Seams and windows sealed. Side Cables not supplied.	6.0	20 1/2	9
2039 RUBBER SET	1964-72	SL L&R Weatherstrips for above the door glass only.	1.2		1
2039 BOWSTRAPS	1964-72	Mercedes SL Bowstraps (pr) Tan Only.	1.0		1
<i>Original Topping for 2038R, 2037R and 2039R</i>					
†2040R	1972-89	Mercedes 280, 350, 380, 450, 500, 560 SL Top. Model R107. Side cables and 2040 Rubber Set installed. No Topstitch on deck seams.	8.0	20	9
†2040NR	1972-89	Same Top as above, 2040 Rubber Set in box, No Side Cables supplied.	8.25	20	9
†2041R	1972-89	Mercedes 280, 350, 380, 450, 500, 560 SL Top. Topstitch on deck seams as original for many 1985-87 models. Cables and 2040 Rubber Set installed.	8.0		9
†2041NR	1972-89	Same Top as above, 2040 Rubber Set in box, No Side Cables.	8.25		9
CAUTION: No Warranty credit will be issued for damage to 2040R/2041 or 2040N/2041N Tops if new side cables are not installed.					
<i>2040 and 2041 [Model R107] tops are made with piping around windows (black, blue and tan only) and all seams and windows are weathersealed. 3 Plastic Windows. With top removed, Bow Height measures from top of rear rail to center of rear bow.</i>					
2040 RUBBER SET	1972-89	SL L&R Weatherstrips for above door glass only	1.00		1
CABLES 2040	1972-89	Mercedes SL Side Tension Cables (pr)			1
2040 BOWSTRAPS	1972-89	Mercedes SL Bowstraps (pr) Tan Only	1.00		1
VIDEO 2040	1972-89	Installation video (VHS) for 2040 Mercedes R107 Tops.			1

Original Topping for 2040R, 2041R, 2040NR, 2041NR: Black, Blue, Brown Sonnenland Classic German Cloth with Tan Backing.

#HOURS LISTED ARE FOR INSTALLATION OF TOP AND WINDOW OR HEADLINER

*O.S.=OVERSIZE OR DIM. WEIGHT APPLIES

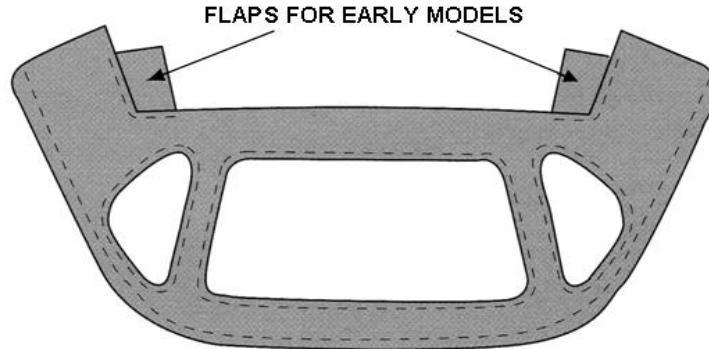
©2008 ROBBINS AUTO TOP CO., INC., OXNARD, CALIFORNIA, USA. TEL (877) 404-3200 FAX (805) 604-3201 WWW.ROBBINSAUTOTOP.COM



MERCEDES BENZ (Continued)

Install Hours	Bow Height	Ship Wt. Lbs.
---------------	------------	---------------

1990-02 MERCEDES SL



Part Number	Year	Description	Install Hours	Ship Wt. Lbs.
†2042R	1990-02	Mercedes SL Class 300, 320, 500, 600 Top and Rear 3-Window Assembly. Original style one-piece (no deck seams) front top section, as adopted by Mercedes Benz in 1992 for model R129. Rear window section has flaps to wrap around upper rear bow straps used on early applications. Cut flaps off if not needed. Top and window sections are made with Hand-Rolled Binding. 5-1/2" valance beneath windows. No piping around windows. Original style elastic. 3 Plastic Windows. Reusable metal stiffener bars for rear window not supplied.	10.0	12
†3142R	1990-02	Mercedes SL Class 300, 320, 500, 600 Top, front section (Front section of 2042R)	5.0	4
†3152R	1990-02	Mercedes SL Class 300,320,500,600 Rear 3-Window Assy (Rear section of 2042R)	6.0	8
942L	1990-02	Mercedes SL Class 300,320,500,600 Headliner Made with original style plastic extrusions. Offered in Black or Tan Dobby Bowdrill and Gray stretch cloth as original	3.0	3

NO WARRANTY AGAINST creasing or cracking of plastic windows 2042R Tops or 3152R Rear Window Assemblies. Service Bulletins 77/26A and 77/39 have been issued by Mercedes Benz describing abrasion, pinching, cuts, holes, tearing and other damage to the topping and seams in the front top section and rear window assembly; as well as fraying, creasing and breaking of plastic windows caused by the top frame and body components. Robbins cannot be held responsible for damage to our products caused by problems described above.

Original Topping for 2042R, 3142R and 3152R: 1990-1993 Black, Blue, Brown Sonnenland Plus German Cloth with Tan doobby backing. Late 1993-02: Black, Blue and Brown Sonnenland Plus German Cloth with Black Dobby backing. 1997-2001 Black, Blue, Brown, Tan and other colors Sonnenland A5 German Cloth with Black Polyester Dobby backing. 942L Headliner: 1990-93: Tan Dobby Stretch Bowdrill, Late 1993-1995: Black, Dobby Stretch Bowdrill. 1996-02: Light Gray Stretch Cloth.

†2043C	1999-2003	Mercedes CLK Top. Fits to Factory Glass. Made with Rainguards, Original style header and front quarter plastic extrusions, plastic reinforcements. Now with original German 1/2 zippers on listings to zip top OE top pad, all necessary hardware and illustrated instruction booklet. Headliner not supplied.	8.0	(O.S.)*8
--------	-----------	--	-----	----------

Original Topping: Black, Dark Blue, Mineral Green and Orion Gray Sonnenland A5 German Cloth with Black Polyester Dobby backing.

#HOURS LISTED ARE FOR INSTALLATION OF TOP AND WINDOW OR HEADLINER *O.S.=OVERSIZE OR DIM. WEIGHT APPLIES

©2008 ROBBINS AUTO TOP CO., INC., OXNARD, CALIFORNIA, USA. TEL (877) 404-3200 FAX (805) 604-3201 WWW.ROBBINSAUTOTOP.COM



ROBBINS 2008 PRODUCT CATALOG (PDF)

<i>MGB / MGC</i>			Install Hours	Bow Height	Ship Wt. Lbs.
2188	1962-63	MGB Top. Early 1963 MGB. Fits folding top frame. 3 Plastic Windows.	4.0		8
1188	1962-63	MGB Tonneau Cover. With side zippers.	3.0		7
2188A	1963-70	MGB, MGC Top. Fits Late 1963-70 Stowaway top frame. Fasteners installed in top at rear belt. 3 Plastic Windows.	4.0		8
2188AZ	1963-70	MGB, MGC Top with non-original Zipper rear window. Fits Late 1963-70 Stowaway top frame. Fasteners installed in top at rear belt. 3 Plastic Windows.	4.0		8
2189	1963-70	MGB, MGC Top. Fits Late 1963-70 folding top frame. 3 Plastic Windows. Starting VIN/Car #: GHN 3L 19500. Original top frame color is grey.	4.0		8
2189Z	1963-70	MGB, MGC Top with non-original Zipper rear window. Fits Late 1963-70 folding top frame. 3 Plastic Windows. Starting VIN/Car #: GHN 3L 19500.	4.0		8
1189	1965-70	MGB, MGC Tonneau Cover with side zippers.	3.0		7
1189H	1965-70	MGB, MGC Tonneau Cover with headrest pockets and side zippers.	3.0		7
<i>Original Topping for 2188, 2188A, 2189: Black and colors Everflex British vinyl.</i>					
2190	1971-76	MGB Top. No Zipper. Fits folding top frame. Rear quarter fasteners installed. 3 Plastic Windows. For top with zipper window, order 2191 below. Starting VIN: GHN 5U 223062G.	4.0		8
2191	1977-80	MGB Top with zipper window. Rear quarter fasteners installed. 3 Plastic Windows. Will also fit 1971-76 MGB.	4.0		9
1190	1971-80	MGB Tonneau Cover, with side zippers.	3.0		7
1190F	1971-80	MGB Tonneau Cover, with Flaps. Lift-the-Dot fasteners in each of the two flaps mount to studs in the floor behind seats.	3.0		7
1190H	1971-80	MGB Tonneau Cover, with Headrest Pockets.	3.0		7
1190HF	1971-80	MGB Tonneau Cover, with Headrest Pockets and Flaps. Lift-the-Dot fasteners in each of the two flaps mount to studs in the floor behind seats.	3.0		7

Original Topping for 2190: Black and colors Everflex British vinyl. Original Topping for 2191: Black British Double Coated Vinyl.

<i>MGF, MGTF (ROVER)</i>			Install Hours	Bow Height	Ship Wt. Lbs.
2192C	1996-98	MGF Top, with deck seams.	6.0		7
2193C	1998	MGF, MGTF Top, No deck seams. (Same as 2194 top without rainguards.)	6.0		7
2194C	1998-04	MGF, MGTF Top. Same as 2193 top with rainguards added. No deck seams.	6.0		7
PC2192	1996-04	Green Plastic Window for 2192, 2193 and 2194 tops.	7.0		5

CAUTION: 2192C and 2193C are not interchangeable, and some 1996-98 cars have had the later top and frame installed. Check the car to determine which top is needed before ordering. Order 2193 or 2194 if existing top has no deck seams.

Original Topping: Black/Black and Beige/Black Haartz Stayfast Cloth.

<i>MINI COOPER</i>			Install Hours	Bow Height	Ship Wt. Lbs.
2760C	2004-On	Mini Cooper & Cooper S Top with Heated Glass. Made with rainguards, relief pockets in quarters as original, and original style plastic extrusions and retainers.	7.0		(O.S.)*18

Original Topping for 2760C: Black, Blue, Deep Green Haartz Twillfast RPC Cloth with Black Dobby backing.

#HOURS LISTED ARE FOR INSTALLATION OF TOP AND WINDOW OR HEADLINER

*O.S.=OVERSIZE OR DIM. WEIGHT APPLIES

©2008 ROBBINS AUTO TOP CO., INC., OXNARD, CALIFORNIA, USA. TEL (877) 404-3200 FAX (805) 604-3201 WWW.ROBBINSAUTOTOP.COM



ROBBINS 2008 PRODUCT CATALOG (PDF)

<i>MITSUBISHI ECLIPSE</i>			Install Hours	Bow Height	Ship Wt. Lbs.
2475C	*1996-99	Mitsubishi Eclipse Spyder Top with Heated Glass Window. Glass Heat-sealed into topping. Made with original style topstitched seams and matching Cloth Binding. <i>*Order 2475 if looking for 1995. The second generation Eclipse was introduced in 1995; however, the Spyder (convertible) was introduced for the 1996 Model year.</i>	6.0		(O.S.)*16
985L	1996-99	Eclipse Headliner. Fits tops with original size Glass window only.	8.0#		5
CABLES 2475	1996-99	Side Tension Cables for 2475 Eclipse Top			1
2476C	2000-05	Eclipse Spyder Top with Heated Glass Window. Glass Heat-sealed into top. Made with original style topstitched seams and matching Cloth Binding.	6.0		(O.S.)*16
986L	2000-05	Eclipse Headliner. Fits tops with original size Glass window only.	8.0#		5
CABLES 2476	2000-05	Side Tension Cables for 2476 Eclipse Top.			1
<i>Original Topping for 2475C,2476C: 1996-05 Black, Tan Topline Sun-Fast Cloth with Black backing. 2003-05 Blue, Taupe Haartz Stayfast Cloth with Black backing.</i>					

<i>MORGAN</i>			Install Hours	Bow Height	Ship Wt. Lbs.
1289	1954-56	Morgan Tonneau Cover. Fits 2 Passenger car with side curtains.	3.0		7
1291	1959-65	Morgan Tonneau Cover. Fits 2 Passenger car with side curtains.	3.0		7
1292	1966-On	Morgan Drophead Coupe Tonneau Cover. 4 Passenger, solid window frame, with side zippers. Will not fit "Plus-Four" models.	3.0		7

NOTE: We only offer Tonneau Covers for Morgan. Tops not offered.

<i>MORRIS MINOR</i>			Install Hours	Bow Height	Ship Wt. Lbs.
2113	1957-69	Morris Minor 1000 Convertible Top. 1 Plastic Window. <i>Original Topping for 2113: Black and colors Everflex British Vinyl.</i>	8.0		7

<i>NISSAN</i>			Install Hours	Bow Height	Ship Wt. Lbs.
2130C	1992-94	Nissan 240SX Top. No rear extrusion. Must use rear bow tackstrip insert (supplied).	6.0#		7
PC2130	1992-94	Plastic Window for 2130 Top. Made with original style plastic extrusion into which steel stiffener rod from original curtain must be inserted. Top must be completely removed to install PC2130.	6.0#		5
913L	1992-94	Nissan 240SX Headliner (HL VLB). Made as original with plastic extrusions.	9.0#		6
2140C	1993-96	Nissan 300ZX Top. Made with 3 plastic windows trimmed with piping as original. No guarantee against water leakage or damage caused by top frame. <i>Original Topping for 2130C, PC2130 and 2140C: Black/Black Haartz Stayfast Cloth.</i>	6.0		7
2150	2004-On	Nissan 350Z Top. Heated glass heat-sealed into top. Made with original style die cut plastic retainers and reinforcement pieces; and straps to attach OE headliner to top. <i>Original Topping for 2150: Black/Black Twill Grain PVC (similar to HV BKB vinyl).</i>	6.0		(O.S.)*15

#HOURS LISTED ARE FOR INSTALLATION OF TOP AND WINDOW OR HEADLINER

*O.S.=OVERSIZE OR DIM. WEIGHT APPLIES

©2008 ROBBINS AUTO TOP CO., INC., OXNARD, CALIFORNIA, USA. TEL (877) 404-3200 FAX (805) 604-3201 WWW.ROBBINSAUTOTOP.COM



ROBBINS 2008 PRODUCT CATALOG (PDF)

<i>OPEL</i>			Install Hours	Bow Height	Ship Wt. Lbs.
2849	1986-*93	Opel Kadett E, Astra, Monza top with 5 loops to attach boot. (*May 1993)	8.0		9
2850	1986-*93	Opel Kadett E, Astra, Monza top with 6 loops to attach boot. (*May 1993)	8.0		9
2852C	2001-05	Opel / Holden / Vauxhall, Astra top with Heated rear glass. Made with original style plastic retainers.	8.0		(O.S.)*19

2849 and 2850 Tops made with original style Heat-sealed quarters and sewn-in cables, and original style gray cloth window lining to closely match headliner. Fits to factory glass window.

Original Topping for 2849 and 2850: Black, Blue, Gray, Tan, White colors Diamond grain vinyl (similar to KV Pinpoint Grain Vinyl).

Original Topping for 2852C: Black, Dark Blue, Dark Cherry, Euro Green Haartz Twillfast Cloth with Black Dobby Backing.

<i>PEUGEOT</i>			Install Hours	Bow Height	Ship Wt. Lbs.
2704	1967-75	Peugeot 204, 304 Top. 1 plastic window.	6.0		7
2705	1969-83	Peugeot 504 Top. 1 plastic window.	8.0		7
<i>Original Topping for 2704 and 2705: Black cotton cloth.</i>					
2706W	1984-92	Peugeot 205 Top and Plastic Window. Embossed heat-sealed quarters and original style rubber extrusions.	8.0		11
2706WL	1984-92	Same Top as above, with original style white lining in the Plastic Window.	8.0		11
2706	1984-92	Peugeot 205 Top Only. Embossed heat-sealed quarters and original style rubber extrusion.	6.0		6
PC2706	1984-92	Plastic rear window for 2706 Top.	8.0#		5
PC2706L	1984-92	Plastic rear window for 2706 Top, with original style white lining.	8.0#		6
<i>PC2706 and PC2706L Zipper Plastic Windows are made with two original style plastic extrusions.</i>					
976L	1984-92	Peugeot 205 Headliner for 2706 top and PC2706 plastic window (HL GRY)	9.0		6
<i>Original Topping for 2706, PC2706 and PC2706L: Black and colors Peugeot Grain Vinyl (similar to our KV Pinpoint Grain vinyl). 976L Headliner: Gray vinyl.</i>					
2707C	1994-04	Peugeot 306 Top with cloth binding, 1 green plastic window (No zipper). Fits Manual and Power top frame.	8.0		(O.S.)*10
907L	1994-00	306 Headliner for Manual top frame only. Black vinyl as original (907L BLACK).	10.0#		6
<i>Original Topping for 2707C: Black/Black Haartz Stayfast Cloth.</i>					

<i>PORSCHE 356</i>			Install Hours	Bow Height	Ship Wt. Lbs.
†2000R	1955-56	Porsche 356A Speedster, Low Bow Top. Made with 1 Plastic Window, Hand-Rolled Binding as original. (Late 1956 has high center bow; order #2002).	5.0	13	7
†2001R	1955-56	Porsche 356A Speedster, Low Bow Top. Made with 1 plastic window, hand-rolled binding as original. (Late 1956 has high center bow; order #2002).	5.0	15	7
†2002R	1957-58	Porsche 356A Speedster, High Bow Top. 1 Plastic Window, Hand-Rolled Binding, as original.	5.0		7
†2003R	1958-59	Porsche 356A Convertible D Top. Made with hand-rolled binding as original, 1 plastic window. 1/2 headlining not supplied. Fits car with roll-up door windows.	5.0	16	7
†2004R	1960-62	Porsche 356B Roadster, Low Bow Top. Made with hand-rolled binding as original, 1 plastic window. Fits car with roll-up door windows, no headliner.	5.0		6
†2005R	1958-62	Porsche 356B Cabriolet T2-T5 Top. Made with hand-rolled binding, as original. 1 plastic window. Fits car with headliner (not supplied) and roll-up door windows.	5.0		
†2006R	1960-62	Porsche 356B Roadster Top. Made with hand-rolled binding as original, 1 plastic window. Fits car with roll-up door windows, no headliner.	5.0	17	6

#HOURS LISTED ARE FOR INSTALLATION OF TOP AND WINDOW OR HEADLINER

*O.S.=OVERSIZE OR DIM. WEIGHT APPLIES

©2008 ROBBINS AUTO TOP CO., INC., OXNARD, CALIFORNIA, USA. TEL (877) 404-3200 FAX (805) 604-3201 WWW.ROBBINSAUTOTOP.COM



ROBBINS 2008 PRODUCT CATALOG (PDF)

<i>PORSCHE 356 (Continued)</i>			Install Hours	Bow Height	Ship Wt. Lbs.
†2007R	1962-65	Porsche Late 356B, 356C Cabriolet Top. Made with hand-rolled binding, as original. 1 lined plastic window with zipper. Must specify Black, Gray or Tan vinyl window lining. Headliner not supplied.	5.0		5
B1007R	1958-65	Porsche Late 356B, 356C Cabriolet Top Boot. Made with Hand-Rolled Binding, as original. Includes chrome German Tenax fasteners.	2.0		5

Original Topping for 2000R, 2001R, 2002R, 2003R, 2004R, 2005R, 2006R and 2007R: Black/Tan 100% Cotton Cloth (Discontinued)

<i>PORSCHE TARGA</i>			Install Hours	Bow Height	Ship Wt. Lbs.
†2008	1967-94	Porsche Targa Top, replacement skin only. Double-fold binding.	5.0		4
†2008R	1967-94	Porsche Targa Top, replacement skin only. Hand-rolled binding.	5.0		4

2008 and 2008R: Headliner not supplied.

NOTE: Due to changes made by Porsche, our Targa pattern is approximate and may require extra time to make top fit.

Original Topping for 2008: Black Targa Grain Vinyl (similar to our LV Levant Grain vinyl).

<i>PORSCHE 911</i>			Install Hours	Bow Height	Ship Wt. Lbs.
†2009R	1983-85	Porsche 911 Cabriolet, Top & Plastic Window. Fits car with No drip rails above door glass (Drip Rail added late 1984). Made with hand-rolled binding as original. Not offered in vinyl.	12.0		11
†2999R	1983-85	Porsche 911 Cabriolet, Top Only. Fits car with no drip rail above door glass.	5.0		6
†3119R	1983-85	Porsche 911 Cabriolet, Window Only.	8.0		7

Original Topping for 2009R, 2010R, 3100R, 3120R, 1009C, 1010HC, B1009R and B1010C: Black, Blue, Brown and other

†2010R	1986-94	Porsche 911 Cabriolet, 930 Turbo Complete Top and Window. Fits car with drip rail above door glass. Made with hand-rolled binding and 4-way stretch elastic, as original.	12.0		11
†3100R	1986-94	Porsche 911 Cabriolet, 930 Turbo Top Only. Fits car with drip rail above door glass.	5.0		6
†3120R	1986-94	Porsche 911 Cabriolet, 930 Turbo Window Only. Fits car with drip rail above door glass. 3119R & 3120R made with heavy zipper, original style 4-way stretch elastic, and Hand-Rolled Binding as original. 1 zipper Plastic Window. Not offered in vinyl.	8.0		7
999L	1983-94	Porsche 911 Headliner (Black Dobby). Hours shown are for headliner and front top only.	6.0#		7
PORSCHE SLIDE	1983-88	Original Zipper Slide only for 1983-94 Porsche Cabriolet Rear Window assemblies.	0.5		1
1009C	1983	Porsche 911 Cabriolet Tonneau Cover with side zippers.	4.5		8
1009HC*	1983-84	Porsche 911 Cabriolet, Carrera Tonneau Cover. Headrest Pockets, side zippers.	4.5		8
1010C	1984-85	Porsche Carrera Tonneau Cover. Side zippers. 1009C and 1009HC made with Cloth Binding as original. German dull black small button Tenax fasteners and black Durable fasteners and studs included. 11 extra black Durables included to install in top boot and to snap to new studs.	3.0		8

NOTE: If Seats will not fold low enough, order 1009HC or 1010HC with Headrest Pockets for 1983-85 models.

1010HC	1984-85	Porsche 911 Cabriolet, Tonneau Cover. Headrest Pockets and side zippers.	3.0		8
--------	---------	---	-----	--	---

#HOURS LISTED ARE FOR INSTALLATION OF TOP AND WINDOW OR HEADLINER

*O.S.=OVERSIZE OR DIM. WEIGHT APPLIES

©2008 ROBBINS AUTO TOP CO., INC., OXNARD, CALIFORNIA, USA. TEL (877) 404-3200 FAX (805) 604-3201 WWW.ROBBINSAUTOTOP.COM



ROBBINS 2008 PRODUCT CATALOG (PDF)

<i>PORSCHE 911 (Continued)</i>			Install Hours	Bow Height	Ship Wt. Lbs.
1011C	1986-94	Porsche 911 Cabriolet, Tonneau Cover. Side Zippers. 1010HC and 1011C made with cloth binding as original. Large button black Porsche Tenax fasteners which snap to studs in dash included. Must drill into doors to install studs.	3.0		8
B1009R	1983-85	Porsche 911 Cabriolet, Carrera Top Boot. Hand-Rolled Binding as original. Includes large button black Tenax fasteners. (Not offered in vinyl).	2.0		7
B1010C	1986-94	Porsche 911 Cabriolet, 930 Turbo Top Boot. Cloth Binding as original. Includes large button black Porsche Tenax fasteners. (Not offered in vinyl).	2.0		8

Original Topping for 2009R, 2010R, 3100R, 3120R, 1009C, 1010HC, B1009R and B1010C: Black, Blue, Brown and other colors of Sonnenland Classic German Cloth with Black Dobby backing.

<i>PORSCHE 944, 968</i>			Install Hours	Bow Height	Ship Wt. Lbs.
†3130C	1989-95	Porsche 944, 968 Top & Rear Window Assy., A.S.C. Made with Rain guards. Headliner not supplied.	12.0		11
†3140C	1989-95	Porsche 944, 968 Front Top Only, A.S.C.	4.0		6
†3150	1989-95	Porsche 944, 968 Rear Window Assembly Only, A.S.C.	8.0#		7

NOTE: Production ranges are 1989-91 944 Cabriolet, 1992-95 968 Cabriolet.

Original Topping for 3130, 3140, 3150: Black, Blue, Brown and other colors Sonnenland Classic German Cloth w/Black Dobby backing.

<i>PORSCHE BOXSTER</i>			Install Hours	Bow Height	Ship Wt. Lbs.
†3161	1997-02	Porsche Boxster Top with sewn in Green Plastic Window. Headliner not offered. Must reuse two OE metal plates with springs at front quarters.	9.0		(O.S.)*8
†3162	1997-02	Porsche Boxster Retrofit Top with Heater/Defroster Glass heat-sealed into top. Must reuse two OE metal plates with springs at front quarters. Power Lead for rear defroster, and Service strap supplied with top. Headliner not offered.	9.0		(O.S.)*14
3162 POWER LEAD	1997-02	Heater Defroster Wiring Loom for 3162 Top (Included with top).	N/A		2

NOTE: 3161 and 3162 are made with improved side tension cables and our innovative "Helper Straps" help to prevent the occurrence of problems outlined in Porsche Service Bulletin Group # 6-61 28 55. Wiring Loom (3162 POWER LEAD) is supplied with top to provide power to the rear glass defroster. (Alternatively, OEM wiring loom part #986-612-315-00 is available at Porsche dealers in the USA for approximately \$155.00).

CAUTION: Porsche has issued Service Bulletin Group 6-61 28 55, describing problems with the cable sleeve channel hanging up when the top is raised or lowered, that can cause side cables to tear away from the top. The bulletin further describes new parts that need to be installed and repairs that need to be made to the frame to correct this problem. Robbins cannot be held responsible for side cables tearing out of our 3161 tops as a result of this frame problem.

†3163	2003-04	Porsche Boxster Top with Heater/Defroster Glass heat-sealed into top. Must reuse two OE metal plates with springs at front quarters. Headliner not offered. Made with improved side tension cables.	9.0		(O.S.)*14
†3164	2005-On	Porsche Boxster Top with Heater/Defroster Glass heat-sealed into top. Must reuse two OE metal plates with springs at front quarters. Headliner not offered.	9.0		(O.S.)*14

Original Topping for 3161, 3162, 3163, 3164: Black, Metropol Blue, Space Gray and Graphite Gray Flame Singed Sonnenland A5 German Cloth with Black Polyester Dobby backing.

#HOURS LISTED ARE FOR INSTALLATION OF TOP AND WINDOW OR HEADLINER

*O.S.=OVERSIZE OR DIM. WEIGHT APPLIES

©2008 ROBBINS AUTO TOP CO., INC., OXNARD, CALIFORNIA, USA. TEL (877) 404-3200 FAX (805) 604-3201 WWW.ROBBINSAUTOTOP.COM



ROBBINS 2008 PRODUCT CATALOG (PDF)

RENAULT / AMC

			Install Hours	Bow Height	Ship Wt. Lbs.
2300	1959-62	Renault Caravelle Top. Mounts at rear to rail below body. 1 Plastic Window.	6.0		8
2301	1962-64	Renault Caravelle Top. Rear mounting bar is screwed to body. 1 Plastic Window.	6.0		8
2302	1964-68	Renault Caravelle Top. Rear mounting bar attaches to body with 2 clips. 1 Plastic Window. Headliner not supplied.	6.0	22 3/4	8

Original Topping for 2300, 2301 and 2302: Black Pinpoint Grain vinyl

4301	1985-87	AMC-Renault Alliance Top. Two-piece quarters, as original, black accent strips and black header bow strip for tops made in white or colors. Pre-drilled alignment and bolt holes.	6.0	22 3/4	9
4302	1985-87	AMC-Renault Alliance Top. Non-original one-piece quarters, no black accent or header bow strips. Pre-drilled alignment and bolt holes.	6.0	22 3/4	9
PC4301	1985-87	Plastic Window for 4301 and 4302 Tops. Zipper, bottom color trim.	8.0#		4

Original Topping for 4301 and 4302: Black (Discontinued Diamond White and Tan) Double Texture vinyl.

ROLLS ROYCE

			Install Hours	Bow Height	Ship Wt. Lbs.
2450R*	1967-92	Rolls Royce Top with Wool Broadcloth lined plastic window assembly and Hand-Rolled Binding, as original. *Must specify Gray or Tan window lining color when ordering. Two 3½"x120" topping strips supplied to re-cover rear bow and lead molding on body. Headliner not supplied.	16.0#	23 1/2	12

Original Topping for 2450R: Black, Blue, Cream, Bisque Tan and other colors Everflex British vinyl.

ROVER

			Install Hours	Bow Height	Ship Wt. Lbs.
2249	1992-98	Rover 214, 216 Complete Top with Plastic Window. Made with original style embossed stitch, heat-sealed quarters. 2249 fits models built from May 1992-98. Headliner not supplied.	10.0		12
2250	1992-98	Rover 214, 216 Top Only. Made with original style embossed stitch, heat-sealed quarters. 2250 fits models built from May 1992-98. Headliner not supplied.	8.0		7
PC2250	1992-98	Replacement Plastic Window Only, for 2249 top. Also fits with 2250 Top. Made with original style gray vinyl lining, zipper at top, and binding at bottom.	10.0#		4
915L	1992-98	Rover 214, 216 Headliner (HL GRY).	10.0#		5

Original Topping for 2249, 2250: Black/Black, Light Brown/White, Gray/Gray Rover grain Vinyl. 915L Headliner: Light Gray vinyl.



ROBBINS 2008 PRODUCT CATALOG (PDF)

<i>SAAB</i>			Install Hours	Bow Height	Ship Wt. Lbs.
†2725C	1986-94	Saab 900, 900S Top with cloth binding. Note: Vinyl binding is original for 1987-91. Pre-drilled alignment holes. Strip of matching binding material supplied to cover rear bow exterior trim piece.	8.5	23	9
		NOTE: Vinyl binding is original for 1987-1991, Cloth binding is original for 1992-94. To order top with vinyl binding omit the "C" (Example: 2725 SG BKB)			
†HD272	1987-94	Heated glass window with zipper for 2725C Top. Glass heat-sealed into curtain. Headliner hides curtain backing. Glass fits models beginning 1987, starting with VIN H7011950 (last 8 digits).	12.0#		15
925L	1986-94	Saab 900, 900S Headliner (HL VLB)			7
CABLES 2725	1986-94	SAAB 900, 900S Side Tension Cables (pr)			1

NOTE: Only 400 1986 model year Saab convertibles were built.

CAUTION: Saab has issued Service Bulletin 03/93-0316 for 1987-93 Saab convertibles advising that top frame components can cause pinching of the top, and that abrasion damage, cuts, and holes can occur. Robbins cannot be held responsible for any damage to our products caused by the problems described above.

Original Topping for 2725C: 1987-94 Black, Blue, (Saab) Tan Sonnenland Classic German Cloth with Black Dobby Backing. 1995-96 Black, Blue and other discontinued colors Haartz Twill fast Cloth with Black Dobby backing.

†2728R	1996-98	Saab 900, C.T.S. Top Only. Must Reuse Factory Glass. Fits models starting with VIN # (10th digit-On) T7006412 16.0 9, through end of Saab 900 production. Made with original style hand-rolled binding and no stitching on seams. Top has alignment marks for rear glass, weatherseal and retainers. Headliner attaches with Velcro to metal retainer. Headliner not supplied.	12.0		9
--------	---------	---	------	--	---

CAUTION: Saab has issued multiple Service Bulletins regarding pinching and abrasion damage in 1994-98 Saab tops caused by the design of the top frame, body components and top. Robbins cannot be held responsible for any damage to our products caused by the problems described above.

†2732C	1998-03	Saab 9-3, C.T.S Top Only. Must Reuse Factory Glass. Top has alignment marks for glass. Made with original style double fold binding.	12.0		9
--------	---------	---	------	--	---

CAUTION: Saab has issued Service Bulletins regarding problems with top frames, and wrinkles, pinching and abrasion damage to top. Robbins cannot be held responsible for wrinkles or other damage to tops caused by the OEM design of the top or top frame. **WARNING 2728R & 2732C Tops:** Be extremely careful removing clips that attach glass, rubber weatherseal and metal retainers to old top. Do not lose any clips and be careful not to scratch or chip the glass. Place shop blanket on bench to protect glass, and be extremely careful when installing glass, rubber weatherseal and retainers in top with clips.

Original Topping for 2728R and 2732C Black, Blue and other colors Sonnenland A5 German Cloth with Black backing.

#HOURS LISTED ARE FOR INSTALLATION OF TOP AND WINDOW OR HEADLINER

*O.S.=OVERSIZE OR DIM. WEIGHT APPLIES

©2008 ROBBINS AUTO TOP CO., INC., OXNARD, CALIFORNIA, USA. TEL (877) 404-3200 FAX (805) 604-3201 WWW.ROBBINSAUTOTOP.COM



ROBBINS 2008 PRODUCT CATALOG (PDF)

<i>SINGER</i>			Install Hours	Bow Height	Ship Wt. Lbs.
---------------	--	--	------------------	---------------	------------------

2605	1959-62	Singer Gazelle Top. Special Order, Non-Returnable.	6.0		8
2605P	1959-62	2605 Top Made With Sewn-In Pads. Special Order, Non-Returnable.	6.0		12

Original Topping for 2605: Black Everflex British vinyl.

<i>SUNBEAM</i>			Install Hours	Bow Height	Ship Wt. Lbs.
----------------	--	--	------------------	---------------	------------------

2611	1959-61	Sunbeam Alpine Series I Top. Skirt, 2 Tenax fasteners included. Fits all models with V.I.N. numbers beginning with B90. 3 Plastic Windows.	6.0		7
2613	1961-62	Sunbeam Alpine Series II Top. Skirt, no zippers. 2 Tenax fasteners. Fits all models with VIN numbers beginning with B91. 1 Plastic Window.	6.0		7

Original Topping for 2611 and 2613: Black and colors Everflex British vinyl.

2614	1963-65	Sunbeam Alpine Series III & IV; Tiger MK I Top. Rear flaps and side cables. Fits models with VIN # beginning with B920, B940, B941 and B947. 1 Plastic Window.	6.0		7
1613	1963-65	Sunbeam Alpine Series III & IV; Tiger MK I Tonneau Cover. With side zippers.	3.0		7
2614A	1966-68	Sunbeam Alpine Series V, Model 1725; Tiger MK IA & MK II Top. Velcro above door glass (no side tension cables). Fits models with V.I.N. # beginning with B382 and B395. 1 Plastic Window.	5.0		7
1614A	1966-68	Sunbeam Alpine Series V, Model 1725; Tiger MK IA & MK II Tonneau Cover. with side zippers.	3.0		7
2615	1958-62	Sunbeam Rapier Top. 1 Zipper Plastic Window. For sewn-in pads order 2615P.	7.0		7
2615P	1958-62	2615 Top Made With Sewn-In Pads.	7.0		12

Original Topping for 2614, 2614A, 2615: Black/Black British Dice (KV) Grain smooth grain vinyl.

<i>SUZUKI</i>			Install Hours	Bow Height	Ship Wt. Lbs.
---------------	--	--	------------------	---------------	------------------

7330	1990-93	Suzuki Swift (Europe), Suzuki Cultus (Japan). Made as original with 3 plastic extrusions. Pre-drilled alignment holes . 1 Plastic Window.	6.0		10
CABLES 7330	1990-93	Side Cables for 7330 Top, pair.			1

Original topping for 7330: Black/Black, Black/ Gray Japanese Single Texture Vinyl (Similar to KV Grain Vinyl)

7349	1983-94	Suzuki Samurai (U.S.A.) Suzuki SJ413, Santana SJ413 (Europe) Suzuki Sierra (Australia) Top. One non-original plastic extrusion snaps to front bow. All seams topstitched and heat-sealed, and reinforcements added for extra strength. Made with non-original open Lift-the-Dot fasteners and rear tie-down straps. Installs with three snaps at rear bow. Regalite B.U.V. Plastic used in two quarter windows on each side and rear window. Installation instructions supplied.	0.5		12
------	---------	--	-----	--	----



ROBBINS 2008 PRODUCT CATALOG (PDF)

<i>SUZUKI (Continued)</i>			Install Hours	Bow Height	Ship Wt. Lbs.
7350	1989-94	Geo Tracker, Suzuki Sidekick (USA); Suzuki Vitara, (Europe & Australia) Top. Non-original plastic extrusion snaps to front bow. All seams topstitched and heat-sealed, plus reinforcements added for extra strength. Original style plastic corner brackets. Original style separating. Coil Zipper in rear window, Ring Pull Zipper Slide on Top. Unzips right to left when facing vehicle from rear. Dual quarter windows on each side. Regalite B.U.V. Plastic used in side windows and rear plastic window. Installation instructions supplied. Must reuse factory stiffener rod. (Suzuki part no. 78399-60A00, available at dealers, approximately \$16.00 in U.S.A.)	0.5		14
PC7350L	1989-94	Replacement Rear Plastic Window FOR FACTORY TOPS in EUROPE. Zipper Unzips Left to Right. Ring Pull Zipper Slide on Plastic Window. Full original style separating coil zipper sewn on PC7350 (Permits replacement of 1/2 zipper on top if this is damaged). Must reuse factory stiffener rod.	N/A		5
PC7350R	1989-94	Replacement Rear Plastic Window for 7350 and USA OE Tops - Zipper Unzips Right to Left. Full original style separating coil zipper sewn on PC7350 (Permits replacement of 1/2 zipper on top if damaged). Must reuse factory stiffener rod.	N/A		5
7351	1995-98	Geo/Chevy Tracker, Suzuki Sidekick (Vitara in Europe & Australia) Top. Original style pocket with Durable snaps at front, die cut plastic reinforcements, rear window separating coil zipper Unzips Left to Right, and removable dual quarter windows on each side.	0.5		(O.S.)*14
PC7351L	1995-98	Rear Plastic Window for 7351 Top. Zipper starter on left side of top when facing rear of vehicle. (Unzips left to right.) Zips into Geo Tracker and Suzuki Sidekick tops sold in U.S.A; or Robbins 7351 Tops. Ring Pull Zipper Slide on Window Assembly Full original style separating coil zipper sewn on PC7351 (Permits replacement of 1/2 zipper on top if damaged.)	N/A		4
PC7351R	1995-98	Rear Plastic Window Assembly for OE Tops in Europe. Zipper starter on right side of top when facing rear of vehicle. (Unzips right to left). Ring Pull Zipper Slide on Window Assembly, Full original style separating coil zipper sewn on PC7351 (Permits replacement of 1/2 zipper on top if this is damaged.)	N/A		4
SC7351	1995-98	Side Curtains (Pair) for 7351 Top. Also will zip into USA 1995-98 Tracker and Sidekick OE tops and dealer service parts tops.	N/A		4

Original Topping 7349, 7350, 7351: Black/Black, White/White Cami Double Coated Vinyl.



ROBBINS 2008 PRODUCT CATALOG (PDF)

<i>TOYOTA</i>			Install Hours	Bow Height	Ship Wt. Lbs.
3000	1984-85	Toyota Celica Top Only. Original style extrusion which fits to rear bow. Alignment holes pre-drilled. Glass window discontinued. P/N 3000 supersedes 2998.	6.0	20 1/2	9
PC3000	1984-85	Celica Non-Orig. Plastic Window. Charcoal lining to match headliner, zipper, bottom color trim.	8.0#		5
3001	1987-89	Toyota Celica Top. Original style plastic extrusion snaps into rear bow.	8.0	21 1/4	8
PC3001	1987-89	Plastic Window for 3001 top. Zipper, bottom color trim. Pre-drilled alignment holes.	10.0#		5
931L	1987-89	Toyota Celica Headliner. Made with original style extrusions. HL VLC material.	9.0#		6
CAUTION: Pinching and abrasion damage can occur to the topping and cuts or holes can develop due to the design of the top frame and top. Robbins cannot be held responsible for damage to our products described above.					
<i>Original Topping for 3000, 3001: Black/Black Hartz Stayfast Cloth. 1984-85 cloth tops were originally made with vinyl binding.</i>					
3002	1991-93	Toyota Celica Top, Wide Deck. Deck measures 36 1/4" across Rear Bow.	8.0	22 1/2	7
3002A	1991-93	Toyota Celica Top, Narrow Deck. Deck measures 35 3/4" across Rear Bow.	8.0	22 1/2	7
3002C and 3002AC Tops made as original with matching Cloth Binding. Must reuse factory plastic extrusion and black metal retainer. Measuring Deck Width: Measure deck across rear bow, to seam folds. Due to shrinkage measurements may not be exact.					
PC3002	1991-93	Plastic Window for 3002 and 3002A Tops.	10.0#		5
932L	1991-93	Toyota Celica Headliner. Made with original style extrusions. HL VLC material.	10.0#		6
<i>Original Topping for 3002, 3002A: Black, Blue Hartz Stayfast Cloth with Black backing.</i>					
3003	1995-99	Toyota Celica Top, A.S.C. Original style topstitched seams, cloth binding, alignment Holes.	8.0	24 1/2	6
HD303	1995-99	Heated Glass for 3003C Top. Glass Heat-sealed into topping. Made with original style extrusion and stainless steel rod to fit into rear bow.	11.0#		(O.S.)*13
3010C	2000-03	Toyota Solara Top Only. Made with original style extrusion and matching cloth binding.	6.0		7
HD301	2000-03	Heater/Defroster Glass Window for 3010C.	9.0#		(O.S.)*13
3011C	2004-On	Toyota Solara Top with Heated Glass and sound dampening pad as original. Robbins improved upon the OE top with the addition of Rain-Guards. Headliner not supplied.	8.0		(O.S.)*19
<i>Original Topping for 3010C and 3011C: Black, Tan Topline Sun-Fast cloth with Black backing.</i>					
3005	2000-On	Toyota MR2 Spyder Top with Heated Glass Window. Made with original style sewn in side and cables with nuts to attach to frame, original style die cut retainer pieces. (Some refer to early 2000 models as 1999. Our 3005 top fits all years.)	8.0		(O.S.)*14

Original Topping for 3005: Black and Tan MR2 pebble grain vinyl with black backing. Original vinyl is Not Offered. We recommend RC (Cabrio Grain) vinyl as the best substitute. NOTE: RC MTB is the most commonly ordered tan for our 3005 top; however, there is no RC tan that matches the original. See samples before ordering.

#HOURS LISTED ARE FOR INSTALLATION OF TOP AND WINDOW OR HEADLINER

*O.S.=OVERSIZE OR DIM. WEIGHT APPLIES

©2008 ROBBINS AUTO TOP CO., INC., OXNARD, CALIFORNIA, USA. TEL (877) 404-3200 FAX (805) 604-3201 WWW.ROBBINSAUTOTOP.COM



ROBBINS 2008 PRODUCT CATALOG (PDF)

<i>TRIUMPH</i>			Install Hours	Bow Height	Ship Wt. Lbs.
NOTE: Most Triumph Tops require replacement straps or Velcro as part of the installation. Straps and/or Velcro are not included with our Tops, and they are not reflected in our estimated installation hours.					
2201	*1953-55	Triumph TR2 Top. 3 Plastic Windows. Fits comm. #TS4400 up to #TS5256. Tenax fasteners are supplied in box. (Original baby Tenax fasteners not available.)	6.0		7
1201	*1954-55	Triumph TR2, TR3, TR3A Tonneau Cover. Fits comm. #TS5256 up to #TS41752; early style, no side slits. Tenax fasteners supplied. (Orig. baby Tenax not available.)	3.0		6
2202	*1955-57	Triumph TR2, TR3, Early TR3A Top. Fits car with No door handles, from comm. #TS5256 up to #TS41742. Includes Tenax and Lift-the-Dot fasteners, No pegs.	6.0		7
2204	*1957-61	Triumph TR3A, TR3B Top. Fits commission numbers later than TS41742. Includes 10 Tenax fasteners.	6.0		7
1204	*1956-63	Triumph, Late TR3A, TR3B Tonneau Cover. Late style with side slits. Fits commission numbers later than #TS41752.	3.0		7
*NOTICE: Model years are not absolute, and details on many cars have been changed by their owners. Commission number ranges will help you select the correct product per application. Commission number plate is located on the right side of the bulkhead.					
2205	1961-65	Triumph TR4 Top. 3 Piece front metal strip. Roll-up Door Glass. 3 Plastic Windows	6.0		7
1205	1961-66	Triumph TR4 Tonneau Cover.	3.0		7
2206	1966-67	Triumph TR4A Top. Front bow. 3 Plastic Windows.	6.0		8
1206	1966-67	Triumph TR4A Tonneau Cover.	3.0		6
2207	1967-68	Triumph TR250, TR5 (Europe) Top. Includes original style black plastic covered Durable snaps. 3 Plastic Windows. (No Zipper Window).	5.0		7
2219	1967-68	Triumph TR250, TR5 (Europe) Top. Same Top as 2207 made as original with 3M Scotchlite silver-gray Reflective strip.	5.0		8
1207	1967-68	Triumph TR250, TR5 (Europe) Tonneau Cover. Fits with folding headrests.	3.0		6
<i>Original Topping for 2201, 2202, 2204, 2205, 2206, 2219: Black/Black British Double Coated vinyl (Discontinued).</i>					
2207A	1969-76	Triumph TR-6 Top. Includes original style black plastic covered Durable snaps. 3 Plastic Windows, zipper center window.	4.0		7
2220	1969-76	Triumph TR-6 Top. Same Top as 2207A made as original with 3M Scotchlite silver-gray Reflective strip.	4.0		7
1207A	1969-76	Triumph TR-6 Tonneau Cover.	3.0		6
1207AH	1969-76	Triumph TR-6 Tonneau Cover. With Headrest Pockets.	3.0		6
<i>Original Topping for 2207A, 2220: Black/Black British Double Coated vinyl (Discontinued).</i>					
2208	1979-81	Triumph TR-7, TR-8 Top. Includes original style black plastic covered Durable snaps. 3 Plastic Windows, zipper center window.	4.0		8
1208	1979-81	Triumph TR-7, TR-8 Tonneau Cover. With side zippers.	3.0		6
<i>Original Topping for 2208: Black/Black and other colors British Double Coated vinyl (Discontinued).</i>					
2209	1963-66	Triumph Spitfire 4, Mark II Top. 3-Piece front metal strip. 3 Plastic Windows.	5.0		7
1209	1963-67	Triumph Spitfire 4, Mark II Tonneau Cover. With side zippers.	3.0		6
2209A	1967-69	Triumph Spitfire Mark III Top. Front bow. Fits folding top frame. 3 Plastic Windws.	5.0		7
1209A	1967-69	Triumph Spitfire Mark III Tonneau Cover. With side zippers.	3.0		6
1209AH	1969-70	Triumph Spitfire Mark III Tonneau Cover. Headrest Pockets and side zippers.	3.0		6
2211	1970-71	Triumph Spitfire Mark III Top. Zipper center window, 3 Plastic Windows.	6.0		7
1209AH	1969-70	Triumph Spitfire Mark III Tonneau Cover. Headrest Pockets and side zippers.	3.0		6
1211H	1971	Triumph Spitfire Mark III Tonneau Cover. With Headrest Pockets.	3.0		6

#HOURS LISTED ARE FOR INSTALLATION OF TOP AND WINDOW OR HEADLINER

*O.S.=OVERSIZE OR DIM. WEIGHT APPLIES

©2008 ROBBINS AUTO TOP CO., INC., OXNARD, CALIFORNIA, USA. TEL (877) 404-3200 FAX (805) 604-3201 WWW.ROBBINSAUTOTOP.COM



ROBBINS 2008 PRODUCT CATALOG (PDF)

<i>TRIUMPH (Continued)</i>			Install Hours	Bow Height	Ship Wt. Lbs.
2210	1960-70	Triumph Herald; Vitesse, Sports Six, 1200, 13/60 Top. 3 Plastic Windows.	6.0		7
<i>Original Topping for 2209, 2209A, 2210 and 2211: Black/Black British Double Coated vinyl (Discontinued).</i>					
2212	1971-80	Triumph Spitfire Mark IV Top. Supplied with factory original style black plastic covered Durable snaps. Zipper center window, 3 Plastic Windows.	4.0		7
1212H	1971-77	Triumph Spitfire Mark IV Tonneau Cover. With Headrest Pockets.	3.0		6
1212AH	1978-80	Triumph Spitfire Mark IV Tonneau Cover. With Headrest Pockets.	3.0		6
<i>Original Topping for 2212: Black/Black British Double Coated vinyl (Discontinued).</i>					
2213	1971-72	1971-72 Triumph Stag Top. 3 Plastic Windows.	8.0		9
2214	1973-77	Triumph Stag Top. 1 Zipper Plastic Window.	8.0		9
<i>Original Topping for 2213 and 2214: Black cotton cloth.</i>					
<i>VOLKSWAGEN</i>			Install Hours	Bow Height	Ship Wt. Lbs.
2022	1954-57	Volkswagen Beetle Top, Model 1200. Fits to factory glass. Headliner not supplied.	5.0		7
2026	1958-62	Volkswagen Beetle Top, Model 1200. Uses side tension cables. Staples around rear. Front header bow fits into pocket. Top uses wire-on at rear bow. Fits to factory glass window. Headliner not supplied.	5.0		7
<i>Original Topping for 2022 and 2026: Black cotton cloth.</i>					
2027	1963-67	Volkswagen Beetle Top, Model 1200. Uses side tension cables. Front header bow fits into pocket. Fits to factory glass window. Top has wire-on over rear bow. Headliner not supplied. For 1967 model with wood front bow and rear mounting cable, order 2028.	5.0	22 1/2	8
B1027	1963-67	Volkswagen Beetle Top Boot.	1.0		6
CABLES VWRS	1968-79	Beetle, Karmann Ghia, Rabbit, Cabriolet Side Cables (pr).	1.0		1
2028	1968-72	Volkswagen Beetle Top, Model 1302. Wood Front Bow, rear mounting cable. Vinyl tops made w/heat-sealed quarters, as original. Fits to factory glass window. Headliner not supplied. Bow Height measured from cable lip to top of rear bow.	5.0	23 1/2	8
B1028	1968-72	Volkswagen Beetle Top Boot.	1.0		6
CABLE 2028 REAR	1968-79	Rear Mounting Cable for 2028 and 2060 (ea).			2
CABLES VWRS	1968-79	Beetle, Karmann Ghia, Rabbit, Cabriolet Side Cables (pr).	1.0		1
2060	1973-79	Volkswagen Beetle Top, Model 1303. Metal Front Bow, rear mounting cable. Vinyl tops made with heat-sealed quarters as original. Fits to factory glass window. Window measures approximately 6" above rear tension cable.	5.0	23 1/2	8
960L	1973-79	VW Beetle Headliner, White (Call for Black).	8.0#		6
B1060	1973-79	Volkswagen Beetle Top Boot.	1.0		6
CABLE 2028 REAR	1968-79	Rear Mounting Cable for 2028 and 2060 (ea).			2
CABLES VWRS	1968-79	Beetle, Karmann Ghia, Rabbit, Cabriolet Side Cables (pr).	1.0		1
<i>Original Topping for 2027, 2028, 2060: Black Diamond Grain German Vinyl.</i>					
2065	1973-78	Volkswagen Thing Top. Type 181, Type 182, Kubelwagen, Mehrweckwagen, Safari, Trekker Top. Top only. No side curtains. Black Grommets installed at rear. Original metal bar at rear must be reused to install top. 1 Plastic Window.	5.0		(O.S.)*12
<i>Original Topping for 2065: Black Light Crush German Double Coated Vinyl (Discontinued).</i>					

#HOURS LISTED ARE FOR INSTALLATION OF TOP AND WINDOW OR HEADLINER

*O.S.=OVERSIZE OR DIM. WEIGHT APPLIES

©2008 ROBBINS AUTO TOP CO., INC., OXNARD, CALIFORNIA, USA. TEL (877) 404-3200 FAX (805) 604-3201 WWW.ROBBINSAUTOTOP.COM



ROBBINS 2008 PRODUCT CATALOG (PDF)

<i>VOLKSWAGEN (Continued)</i>			Install Hours	Bow Height	Ship Wt. Lbs.
2062	1980-93	Volkswagen Rabbit, Cabriolet, Golf I (Europe) Top. Made with Rainguard deck seams and embossed heat-sealed quarters as original, U.S. Patent 4,684,419. Stainless steel stiffener rods included in box to insert into rear extrusion. Fits to factory glass window. With top removed from car, Bow Height measured from top of the metal cable sleeve to the center of the rear bow. Top made with two sets of straps, cut off straps you do not need.	5.0	25 1/4	10
961L	1980-81	VW Rabbit, Golf I Headliner HL WHT (Call for BLK).	8.0#		6
962L	1982-85	Cabriolet, Golf I Headliner HL WHT (Call for BLK).	8.0#		6
963L	1986-93	Cabriolet, Golf I Headliner HL WHT (Call for BLK).	8.0#		6
PAD 2062	1980-93	VW Top Pad with Cover.			7
COVER 2062	1980-93	Cover Only for 1980-93 VW Top Pad (Cover included when ordering Pad 2062).			6
B1061	1980-81	Volkswagen Rabbit, Golf I Top Boot.	N/A		6
B1062	1982-93	Rabbit, Cabriolet, Golf I Top Boot.	N/A		7
CABLES VWRS	1980-93	Beetle, K. Ghia, Rabbit, Cabriolet Side Cables (pr).	1.0		1
CABLE 2062 REAR	1980-93	Rabbit, Cabriolet Rear Mounting Cable (ea).			2
<i>Original Topping: 1980-84 Rabbit, 1983 Only Wolfsburg Special Edition: Black & colors Diamond Grain German Vinyl. 1985-93 Rabbit, Cabriolet, Golf: Black and colors Cabrio Grain Vinyl, 1991-93 Etienne Aigner Special Edition: Black, Blue and Red German Cloth with Black backing. Headliner: 1980-92 White Vinyl, 1993 White and Black Vinyl.</i>					
2064	1995-*00	Volkswagen Cabrio, Golf III (Europe) Top. Made as original with plastic extrusions, no deck seams, and no binding. Top fits to factory glass window. Requires 60" wide topping to manufacture.	6.0		9
964L	1995-00	Cabrio, Golf III Headliner (HL VWB, VWG).	8.0		4
CABLES 2064	1995-00	Cabrio, Golf III Side Tension Cables (pr).			2
<i>Original Topping 2064: Black/Black, Blue/Black, (Keisel) Gray/Black, White/Black German Cabrio Grain Vinyl. Black, Blue and other colors Hartz Twillfast Cloth with Black Dobby backing.</i>					
2066	*2001-02	Volkswagen Cabrio Top with Heater/Defroster Glass Window Installed. Made as original, No Deck Seams, No Binding. Glass Heat-sealed into top, OE style brackets on glass to attach to OE control arms that connect to frame.	6.0		(O.S.)*16
964L	2001-02	Cabrio, Golf III Headliner (HL VWB, VWG).	8.0		4
*Check the rear window before ordering. Use 2064 if top has a rubber seal around rear window. Original Topping for 2066: Black, White and other colors Twill Grain German Vinyl; Black, Blue Hartz Twillfast Cloth with Black Dobby backing, other colors Sonnenland A5 German Cloth with Black Dobby backing.					
2068	2003-On	Volkswagen New Beetle POWER Top cover with Heated Glass. Made with original German zippers, which attach the top to the main top pad, original style extrusions.	9.0		(O.S.)*19
2068A	2003-On	Volkswagen New Beetle MANUAL Top cover with Heated Glass. Made with small front pad with extrusion, and welt cords sewn to top, which attach the top to the frame and main pad.	9.0		(O.S.)*19
NOTE: 2068 and 2068A are made with metal brackets that connect to guide arms on top frame. Top attaches to original headliner using our unique system of retaining channels to which the OE headliner extrusion attaches U.S. Patents 7,051,413 and 7,069,633. Headliner not supplied. <i>Original Topping for 2068 & 2068A: Black, Titan Gray, Cream A5 German Cloth with Black Polyester Dobby backing.</i>					

#HOURS LISTED ARE FOR INSTALLATION OF TOP AND WINDOW OR HEADLINER

*O.S.=OVERSIZE OR DIM. WEIGHT APPLIES

©2008 ROBBINS AUTO TOP CO., INC., OXNARD, CALIFORNIA, USA. TEL (877) 404-3200 FAX (805) 604-3201 WWW.ROBBINSAUTOTOP.COM



ROBBINS 2008 PRODUCT CATALOG (PDF)

BUICK			Install Hours	Bow Height	Ship Wt. Lbs.
--------------	--	--	----------------------	-------------------	----------------------

NOTE: Early GM Tops made in KV Grain Vinyl will be finished with Original Style Crush Grain Binding, and supplied with Crush Grain Wire-On. Crush Grain Binding and Wire-On is not available in all colors.

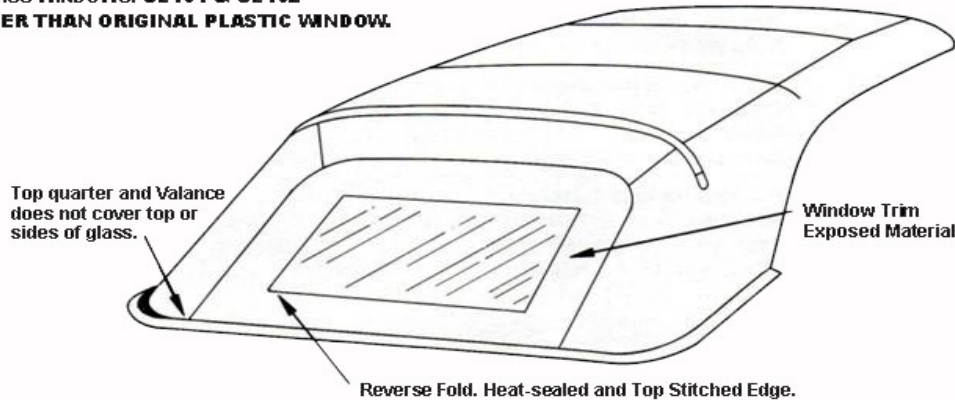
FULLSIZE 1959-76

7505	1959-60	Buick Electra, Invicta, LeSabre Top.	6.0	23	9
PC7505	1959-60	Plastic Window for 7505 Top. Zipper, No bottom color trim.	8.0#		5
7506	1961-64	Buick Electra, Invicta, LeSabre, Wildcat Top. Pre-drilled alignment holes.	6.0	25	9
PC7506	1961-64	Plastic Window for 7506 Top. Zipper, No bottom color trim.	8.0#		4
GL402	1961-64	Non-Original Clear Glass Window with zipper for 7505 and 7506 Tops. Glass heat-sealed into topping.	9.5#		(O.S.)*16

NOTICE: Glass smaller than original Plastic Window and has exposed color trim on all sides, **See diagram.**

GL402 must be unzipped before lowering top. Trimmer may have to build a deeper well to accommodate Glass.

**NON-ORIGINAL GLASS WINDOWS: GL401 & GL402
GLASS IS SMALLER THAN ORIGINAL PLASTIC WINDOW.**



7507	1965-70	LeSabre, Wildcat Top. Pre-drilled alignment holes.	6.0	27 1/2	9
7607	1965-70	Electra Top. Pre-Drilled Bolt and Alignment Holes.	6.0	27 1/2	10
PC7507	1965-70	Plastic Window for 7507, 7607 Tops. Zipper, No bottom color trim.	8.0#		5
TN465	1965-66	Glass Window with Zipper for 7507, 7607 Tops. Glass Heat-sealed into curtain. Will fit thru 1970.	9.0#		(O.S.)*19
TN467	1967-70	Glass Window No Zipper for 7507, 7607 Tops. Glass Heat-sealed into curtain. Will retrofit to 1965.	9.0#		(O.S.)*19

NOTE: Original application years are listed, however, TN465 and TN467 are interchangeable.

PADS 6572	1965-72	Original Style Tapered Top Pads for 65-72 GM *Fullsize and Midsize Tops (*Except 7509, Corvette, Camaro, Corvair).	2.0		4
CABLES 7507	1965-70	Side Tension Cables for 7507 Top (pr).			1
CABLES 7607	1965-70	Side Tension Cables for 7607 Top (pr).			1

Original Topping for 7505, 7506, 7507, 7607: Black/Black, GM White/Black (and other discontinued colors) Double Texture Vinyl. Some of these discontinued GM colors we offer in Single Texture Vinyl: Buckskin, Dark Tan, Tan.

#HOURS LISTED ARE FOR INSTALLATION OF TOP AND WINDOW OR HEADLINER

*O.S.=OVERSIZE OR DIM. WEIGHT APPLIES

©2008 ROBBINS AUTO TOP CO., INC., OXNARD, CALIFORNIA, USA. TEL (877) 404-3200 FAX (805) 604-3201 WWW.ROBBINSAUTOTOP.COM



ROBBINS 2008 PRODUCT CATALOG (PDF)

<i>BUICK (Continued)</i>			Install Hours	Bow Height	Ship Wt. Lbs.
7509	1971-76	1971-76 LeSabre, Centurion, "Scissor Top". Made with original style Talon brass half zipper to zip into glass or Plastic Windows. Pre-drilled alignment holes.	8.0		9
TN409	1971-76	Glass Window for 7509 Top. Original Talon Brass 1/2 Zipper. Glass is Heat-sealed into curtain.	12.0#		(O.S.)*20
HD409	1971-76	Heated Glass for 7509 Top. Original Talon 1/2 Brass Zipper. Glass is Heat-sealed into curtain.	12.0#		(O.S.)*20

CAUTION: Must Reuse old Link Arms and Brackets with TN409 and HD409. Failure to properly install these parts will cause the glass to break.

PC7509	1971-76	Plastic Window for 7509 Top. Bottom color trim. Original Talon 1/2 Brass Zipper.	11.0#		7
CABLES 71	1971	Original Short Style Side Tension Cables, 1971 GM Scissor Top Models (pr)			1
CABLES 7509	1972-76	Original Style Side Tension Cables. For 72-76 GM Scissor Top Models (pr).			1
WELL BLACK 7509	1971-76	Original Style Well Liner for 71-76 GM Fullsize convertibles.	1.5		3

NOTE: Due to declining demand we have discontinued Arms, Brackets, Guides and Bushings for 71-76 GM (scissor) top frames.

Original Topping for 7509: Black/Black, GM White/Black (and other discontinued colors) Pinpoint Grain Double Texture Vinyl.

MIDSIZE 1962-72

7301	1962-63	Buick Special, Skylark, Grand Sport Top.	6.0	21 3/4	9
PC7301	1962-63	Plastic Window for 7301 Top. Zipper, No bottom color trim.	8.0#		4
7302	1964-65	Buick Special, Skylark, Grand Sport Top.	6.0	20 1/2	9
PC7302	1964-65	Plastic Window for 7302 Top. Zipper, No bottom color trim.	8.0#		4
7303	1966-67	Buick Special, Skylark, Grand Sport Top.	6.0	22	9
PC7303	1966-67	Plastic Window for 7303 Top. Zipper, No bottom color trim.	8.0#		4
GL401	1962-67	Non-Original Glass Window with zipper for 7301, 7302 and 7303 Tops. Glass Heat-sealed into topping.	9.5#		(O.S.)*16

NOTICE: Glass smaller than original Plastic Window and has exposed color trim on all sides, **See diagram.**

GL401 must be unzipped before lowering top. Trimmer may have to build a deeper well to accommodate Glass.

PADS 6572	1965-72	Original Style Tapered Top Pads for 65-72 GM *Fullsize and Midsize Tops (*Except 7509, Corvette, Camaro, Corvair).	2.0		5
CABLES 7303	1966-67	Side Tension Cables for 7303 Top (pr).			1
7304	1968-72	Buick Special, Skylark, Grand Sport Top. Alignment holes. For cars with Fixed rear bow.	6.0	20 3/4	9
7304A	1968-72	7304 Top Modified to fit very rare (Canadian?) models with Floating Rear Bow. Pre-drilled alignment holes.	6.0	20 3/4	9
PC7304	1968-72	Plastic Window for 7304, 7304A Top. No Zipper, No bottom color trim.	8.0#		4
TN404	1968-72	Glass Window for 7304, 7304A Top. No Zipper as original. Heat-sealed.	9.0#		(O.S.)*16
WELL BLACK 7304	1968-72	Well Liner for 7304 and 7304A Tops.	1.5		4
PADS 6572	1965-72	Original Style Tapered Top Pads for 65-72 GM *Fullsize and Midsize Tops (*Except 7509, Corvette, Camaro, Corvair).	2.0		4
CABLES 7304	1968-72	Side Tension Cables for 7304 and 7304A Tops (pr).			1

Original Topping for 7301, 7302, 7303, 7304: Black/Black, GM White/Black (and other discontinued colors) Double Texture Vinyl. Some of these discontinued GM colors we offer in Single Texture Vinyl: Buckskin, Dark Tan, Tan.

#HOURS LISTED ARE FOR INSTALLATION OF TOP AND WINDOW OR HEADLINER

*O.S.=OVERSIZE OR DIM. WEIGHT APPLIES

©2008 ROBBINS AUTO TOP CO., INC., OXNARD, CALIFORNIA, USA. TEL (877) 404-3200 FAX (805) 604-3201 WWW.ROBBINSAUTOTOP.COM



BUICK (Continued)

Install Hours Bow Height Ship Wt. Lbs.

RIVIERA (ASC) 1983-86

7401	1983-86	Buick Riviera, *A.S.C. Top. Pre-drilled alignment holes. Headliner not supplied.	8.0	16 1/2	9
*To identify look for A.S.C. nameplate in Driver's doorjamb or trunk lid, or by Black or Blue Latches on sides of top frame.					
TN410	1983-86	Non-Heated Glass Window for 7401 Top. Zipper, glass heat-sealed into curtain.	11.0#		(O.S.)*13
HD410	1983-86	Heated Glass Window for 7401 Top. Zipper, glass heat-sealed into curtain.	11.0#		(O.S.)*13
PC7401	1983-86	Non-Original Plastic Window for 7401 Top. Zipper, bottom color trim.	11.0#		4

Original Topping for 7401, GM White/Black Pinpoint Grain Double Texture Vinyl.

CADILLAC

Install Hours Bow Height Ship Wt. Lbs.

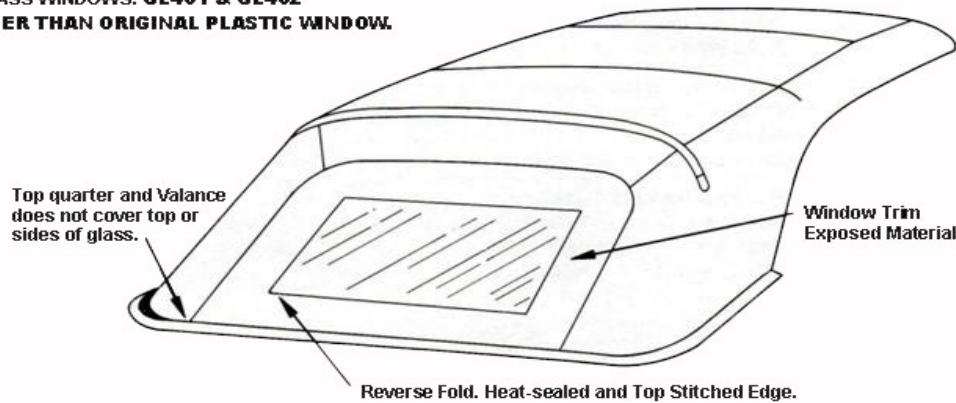
7505	1959-60	Cadillac Top.	6.0	23	9
PC7505	1959-60	Plastic Window for 7505 Top. Zipper, No bottom color trim.	8.0#		5
7506	1961-64	Cadillac Eldorado Top. Pre-Drilled Bolt and Alignment Holes.	6.0	25	9
PC7506	1961-64	Plastic Window for 7506 Top. Zipper, No bottom color trim.	8.0#		4
GL402	1961-64	Non-Original Glass Window with zipper for 7505 and 7506 Tops.	9.5#		(O.S.)*16

Glass Heat-sealed into topping.

NOTICE: Glass smaller than original Plastic Window and has exposed color trim on all sides, **See diagram.**
GL402 must be unzipped before lowering top. Trimmer may have to build a deeper well to accommodate Glass.

Original Topping for 7505, 7506: Black/Black, GM White/Black (and other discontinued colors) Pinpoint Grain

**NON-ORIGINAL GLASS WINDOWS: GL401 & GL402
GLASS IS SMALLER THAN ORIGINAL PLASTIC WINDOW.**



7607	1965-70	Cadillac Eldorado, Coupe de Ville Top.	6.0	27 1/2	10
PC7507	1965-70	Plastic Window for 7507, 7607 Tops. Zipper, No bottom color trim.	8.0#		5
TN465	1965-66	Glass Window with Zipper for 7507, 7607 Tops. Glass Heat-sealed into curtain.	9.0#		(O.S.)*19
TN467	1967-70	Glass Window, No Zipper. For 7507, 7607 Tops. Glass Heat-sealed into curtain.	9.0#		(O.S.)*19

NOTE: Original application years are listed, however, TN465 and TN467 are interchangeable.

PADS 6572	1965-72	Original Style Tapered Top Pads for 65-72 GM *Fullsize and Midsize Tops (*Except 7509, Corvette, Camaro, Corvair).	2.0		4
------------------	----------------	---	-----	--	---

CABLES 7607	1965-70	Side Tension Cables for 7607 Top (pr).			1
--------------------	----------------	--	--	--	---

Original Topping for 7607: Black/Black, GM White/Black (and other discontinued colors) Pinpoint Grain Double Texture Vinyl. Crush Grain Binding and Wire-On not available in all colors.

#HOURS LISTED ARE FOR INSTALLATION OF TOP AND WINDOW OR HEADLINER ***O.S.=OVERSIZE OR DIM. WEIGHT APPLIES**

©2008 ROBBINS AUTO TOP CO., INC., OXNARD, CALIFORNIA, USA. TEL (877) 404-3200 FAX (805) 604-3201 WWW.ROBBINSAUTOTOP.COM



ROBBINS 2008 PRODUCT CATALOG (PDF)

<i>CADILLAC (Continued)</i>			Install Hours	Bow Height	Ship Wt. Lbs.
7509	1971-76	Cadillac Eldorado "Scissor Top". Made with original style Talon brass half zipper to zip into glass or Plastic Windows. Pre-drilled alignment holes.	8.0		9
TN409	1971-76	Non-Heated Glass Window for 7509 Top. Original Talon 1/2 Brass Zipper. Glass Heat-sealed into curtain.	12.0#		(O.S.)*20
HD409	1971-76	Heated Glass for 7509 Top. Original Talon 1/2 Brass Zipper. Glass Heat-sealed into Curtain.	12.0#		(O.S.)*20
CAUTION: Must reuse old Link Arms and Brackets with TN409 and HD409. Failure to properly install these parts will cause the glass to break.					
PC7509	1971-76	Plastic Window for 7509 Top. Bottom color trim. Original Talon 1/2 Brass Zipper.	11.0#		7
CABLES 71	1971	Original Short Style Side Tension Cables, 1971 GM Scissor Top Models (pr)			1
CABLES 7509	1972-76	Original Style Side Tension Cables. For 72-76 GM Scissor Top Models (pr).			1
WELL BLACK 7509	1971-76	Original Style Well Liner for 71-76 GM Fullsize convertibles.	1.5		3
NOTE: Due to declining demand we have discontinued Arms, Brackets and Bushings for 71-76 GM (scissor) top frames. <i>Original Topping for 7509: Black/Black, GM White/Black (and discontinued colors) Pinpoint Grain Double Texture Vinyl.</i>					
7510	1978-79	Cadillac Coupe de Ville Top - Hess & Eisenhardt Only. Look for H&E nameplate on drivers door or trunk lid. Glass Window and Headliner not available.	8.0		10
PC7510	1978-79	Non-Original Plastic Window for 7510 Top. No Zipper, bottom color trim.	10.0#		5
7403	1980-85	Cadillac Eldorado, Hess & Eisenhardt Top. Chrome Latches on Header Bow. Look for nameplate on Driver's door or trunk lid. Glass Window not available. Pre-drilled alignment holes. Headliner not supplied.	9.0		9
PC7403	1980-85	Non-Original Plastic Window for 7403 Top. No Zipper, bottom color trim.	11.0#		4
7402	1983-85	Cadillac Eldorado, A.S.C. (American Sunroof) Top. Black, Red or Blue Latches on sides of Top frame. Look for nameplate on driver's door or trunk lid.	8.0	16 1/2	9
TN415	1983-85	Non-Heated Glass Window for 7402 Top.	11.0#		(O.S.)*11
HD415	1983-85	Heater/Defroster Glass Window for 7402 Top.	11.5#		(O.S.)*11
7512	1986-87	Cadillac Coupe De Ville, Hess & Eisenhardt, Kar Kraft Top. Look for nameplate on driver's door. Pre-drilled alignment holes. Window and Headliner not available.	8.0		10
<i>Original Topping for 7402, 7403, 7510, 7512 Black/Black, GM White/Black (and discontinued colors) Pinpoint Grain Double Texture Vinyl.</i>					

ALLANTE

7409R	1987-93	Cadillac Allante Top. Top fits with factory glass, original style padded window area. Includes four escutcheons with threaded shanks and nuts, covered in matching topping, plus complete set of side tension cables. Made with Partitioned Cable Sleeve, U.S. Patent 6,022,064.	8.0		8
909L	1987-93	Cadillac Allante Headliner (Black Dobby). No Velcro.	9.0#		4
*ESCUT	1987-93	Four Allante top Escutcheons (metal corner trim pieces) as original with threaded shank and nut, covered with cloth to match convertible Top. *Must specify cloth type and color when ordering (Example: ESCUT GR BKB.)			1

Continued Next Page...

#HOURS LISTED ARE FOR INSTALLATION OF TOP AND WINDOW OR HEADLINER

*O.S.=OVERSIZE OR DIM. WEIGHT APPLIES

©2008 ROBBINS AUTO TOP CO., INC., OXNARD, CALIFORNIA, USA. TEL (877) 404-3200 FAX (805) 604-3201 WWW.ROBBINSAUTOTOP.COM



ROBBINS 2008 PRODUCT CATALOG (PDF)

CADILLAC (Continued)

			Install Hours	Bow Height	Ship Wt. Lbs.
CABLES 740 FRNT	1987-93	Cadillac Allante Side Tension Cables (pr) with loop at one end. Loop end fits earlier models, ferrule end fits later models; cut off the end you do not need, pair.			1
CABLES 740 REAR	1987-93	Cadillac Allante Rear Bracket Cables (pr)			1
CABLES 7409	1987-93	Cadillac Allante Side Tension Cables and Rear Bracket Cables. (CABLES 740 FRNT & CABLES 740 REAR)			1
RETAINER 7409	1988	Cadillac Allante, Retainer Replaces Velcro. 1988 Only.			2
PADS 740	1987-93	Black Sail Panel Pads (pr).			
VIDEO 7409	1987-93	Installation video (VHS) for 7409R Cadillac Allante Top.			1

Original Topping for 7409R: 1987-91 Sonnenland Classic German Cloth. 1992-93, Haartz Stayfast Cloth with plain drill backing. We recommend ordering 1987-93 Allante Tops in Sun-Fast "G" cloth so that backing will match the Headliner, and the stretch of our Sun-fast "G" provides a superior fit and appearance. 909L Headliner: Black German Bowdrill, rubber skim coated.

CHEVROLET

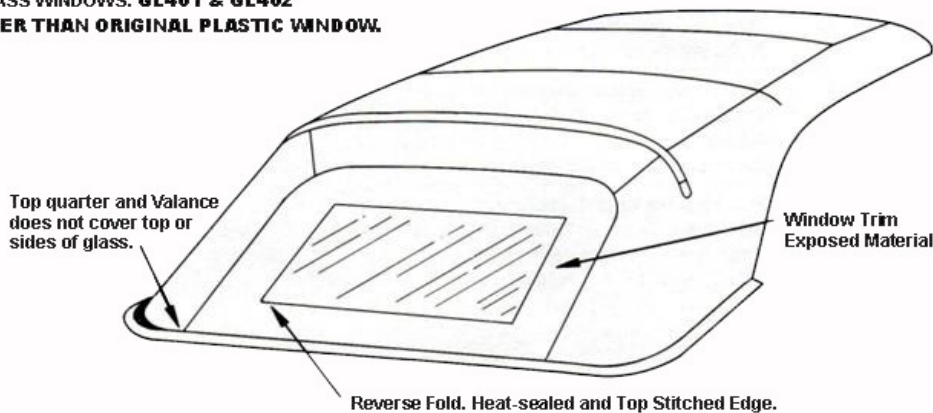
Install Hours	Bow Height	Ship Wt. Lbs.
------------------	---------------	------------------

FULLSIZE 1955-76

7502	1955-57	Chevrolet Belair Top. Pre-drilled alignment holes.	6.0	20 1/2	9
PC7502	1955-57	Plastic Window for 7502 Top. Orig. style horseshoe zipper, No bottom color trim.	8.0#		6
7504	1958	Chevrolet Impala Top. Pre-drilled alignment holes.	6.0	23	9
PC7504	1958	Plastic Window for 7504 Top. Orig. style horseshoe zipper, No bottom color trim.	8.0#		5
7505	1959-60	Chevrolet Impala Top.	6.0	23	9
PC7505	1959-60	Plastic Window for 7505 Top. Zipper, No bottom color trim.	8.0#		5
7506	1961-64	Chevrolet Impala Top. Pre-drilled alignment holes.	6.0	25	9
PC7506	1961-64	Plastic Window for 7506 Top. Zipper, No bottom color trim.	8.0#		4
GL402	1961-64	Non-Original Glass Window for 7505 and 7506 Tops. Glass smaller than original Plastic Window. Zipper. Glass Heat-sealed into topping.	9.5#		(O.S.)*16

NOTE: GL402 must be unzipped before lowering top. Trimmer may have to build a deeper well to accommodate Glass.

**NON-ORIGINAL GLASS WINDOWS: GL401 & GL402
GLASS IS SMALLER THAN ORIGINAL PLASTIC WINDOW.**



#HOURS LISTED ARE FOR INSTALLATION OF TOP AND WINDOW OR HEADLINER

*O.S.=OVERSIZE OR DIM. WEIGHT APPLIES

©2008 ROBBINS AUTO TOP CO., INC., OXNARD, CALIFORNIA, USA. TEL (877) 404-3200 FAX (805) 604-3201 WWW.ROBBINSAUTOTOP.COM



ROBBINS 2008 PRODUCT CATALOG (PDF)

<i>CHEVROLET (Continued)</i>			Install Hours	Bow Height	Ship Wt. Lbs.
7507	1965-70	Chevrolet Impala, Caprice Top. Pre-drilled alignment holes.	6.0	27 1/2	9
PC7507	1965-70	Plastic Window for 7507 Top. Zipper, No bottom color trim.	8.0#		5
TN465	1965-70	Tinted Glass with Zipper for 7507 Top. Glass Heat-sealed into curtain.	9.0#		(O.S.)*19
TN467	1965-70	Tinted Glass, No Zipper for 7507 Top. Glass Heat-sealed into curtain.	9.0#		(O.S.)*19
PADS 6572	1965-72	Original Style Tapered Top Pads for 65-72 GM *Fullsize and Midsize Tops (*Except 7509, Corvette, Camaro, Corvair).	2.0		4
CABLES 7507	1965-70	Side Tension Cables for 7507 Top (pr)			1

Original Topping for 7502, 7504, 7505, 7506, 7507: Black/Black, GM White/Black (and other discontinued colors)

Pinpoint Vinyl. We offer some of these discontinued GM colors in Single Texture Vinyl: Buckskin, Dark Tan, Tan.

7509	1971-76	Chevrolet Impala, Caprice "Scissor Top". Made with original style Talon brass 1/2 zipper to zip into glass or Plastic Windows. Pre-drilled alignment holes.	8.0		9
TN409	1971-76	Non-Heated Glass Window for 7509 Top. Original Talon 1/2 Brass Zipper. Glass Heat-sealed into curtain.	12.0#		(O.S.)*20
HD409	1971-76	Heated Glass for 7509 Top. Original Talon 1/2 Brass Zipper. Glass Heat-sealed into Curtain.	12.0#		(O.S.)*20
CAUTION: Must Reuse old Link Arms and Brackets with TN409 and HD409. Failure to properly install these parts will cause the glass to break.					
PC7509	1971-76	Plastic Window for 7509 Top. Bottom color trim. Original Talon 1/2 Brass Zipper.	11.0#		7
CABLES 71	1971	Original Short Style Side Tension Cables, 1971 GM Scissor Top Models (pr)			1
CABLES 7509	1972-76	Original Style Side Tension Cables. For 72-76 GM Scissor Top Models (pr).			1
WELL BLACK 7509	1971-76	Original Style Well Liner for 71-76 GM Fullsize convertibles.	1.5		3

NOTE: Due to declining demand we have discontinued Arms, Brackets, Guides and Bushings for 71-76 GM (scissor) top.

Original Topping for 7509: Black/Black, GM White/Black (and discontinued colors) Pinpoint Grain Double Texture Vinyl.

MIDSIZE 1962-72

7301	1962-63	Chevy II, Nova Top.	6.0	21 3/4	9
PC7301	1962-63	Plastic Window for 7301 Top. Zipper, No bottom color trim.	8.0#		4
7302	1964-65	Chevrolet Chevelle, Malibu Top.	6.0	20 1/2	9
PC7302	1964-65	Plastic Window for 7302 Top. Zipper, No bottom color trim.	8.0#		4
7303	1966-67	Chevrolet Chevelle, Malibu Top.	6.0	22	9
PC7303	1966-67	Plastic Window for 7303 Top. Zipper, No bottom color trim.	8.0#		4
GL401	1966-67	Non-Original Glass Window for 7301, 7302 and 7303 Tops. Glass smaller than original Plastic Window. See diagram Pg 44. Zipper. Glass Heat-sealed into topping.	9.5#		(O.S.)*16
NOTE: GL401 must be unzipped before lowering top. Trimmer may have to build a deeper well to accommodate Glass.					
PADS 6572	1966-72	Original Style Tapered Top Pads for 65-72 GM *Fullsize and Midsize Tops (*Except 7509, Corvette, Camaro, Corvair).	2.0		4
CABLES 7303	1966-67	Side Tension Cables for 7303 Top (pr).			1

#HOURS LISTED ARE FOR INSTALLATION OF TOP AND WINDOW OR HEADLINER

*O.S.=OVERSIZE OR DIM. WEIGHT APPLIES

©2008 ROBBINS AUTO TOP CO., INC., OXNARD, CALIFORNIA, USA. TEL (877) 404-3200 FAX (805) 604-3201 WWW.ROBBINSAUTOTOP.COM



ROBBINS 2008 PRODUCT CATALOG (PDF)

<i>CHEVROLET (Continued)</i>			Install Hours	Bow Height	Ship Wt. Lbs.
7304	1968-72	Chevrolet Chevelle, Malibu Top. Pre-drilled alignment holes. (Rear Bow Fixed at 20 3/4")	6.0	Fixed	9
7304A	1968-72	7304 Top Modified to fit very rare (Canadian?) Models with Floating Rear Bow. Pre-drilled alignment holes.	6.0	20 3/4	9
PC7304	1968-72	Plastic Window for 7304, 7304A Top. No Zipper, No bottom color trim.	8.0#		4
TN404	1968-72	Glass Window for 7304, 7304A Top. No Zipper as original. Glass Heat-sealed into Curtain.	9.0#		(O.S.)*16
WELL BLACK 7304	1968-72	Well Liner for 7304 and 7304A Tops.	1.5		4
PADS 6572	1965-72	Original Style Tapered Top Pads for 65-72 GM *Fullsize and Midsize Tops (*Except 7509, Corvette, Camaro, Corvair).	2.0		4
CABLES 7304	1968-72	Side Tension Cables for 7304 and 7304A Tops (pr).			1

Original Topping for 7301, 7302, 7303, 7304: Black/Black, GM White/Black (and other discontinued colors) Pinpoint Vinyl. Some of these discontinued GM colors we offer in Single Texture Vinyl: Buckskin, Dark Tan, Tan.

CORVAIR; MONZA SPYDER, CORSA

7101	1962-64	Chevrolet Corvair, Monza Spyder Top.	6.0	22 1/2	9
PC7101	1962-64	Plastic Window for 7101 Top. Zipper, No bottom color trim.	8.0#		4
7102	1965-69	Chevrolet Corvair, Monza, Corsa Top.	6.0	21 3/4	9
PC7102	1965-69	Plastic Window for 7102 Top. Zipper, No bottom color trim.	8.0#		4

*Original Topping for 7101, 7102: Black/Black, GM White/Black (and other discontinued colors) Pinpoint Grain Double Texture Vinyl. ***Crush Grain Binding and Wire-On not available in all colors.*

CAMARO

7201	1967-70	Chevrolet Camaro Top. For use with Plastic Window Only.	6.0	22 1/2	9
PC7201	1967-70	Plastic Window for 7201 Top. No Zipper, No bottom color trim.	8.0#		4
PC7201Z	1967-70	Plastic Window for 7201 Top. With Zipper, No bottom color trim.	8.0#		4
7202	1967-70	Chevrolet Camaro Top, for use with GL304 Glass	6.0	22 1/2	9
GL304*	1967-70	Non-Original Clear Folding Glass Window with zipper for 7202 Top. Featuring the Robbins Flex-Hinge®, U.S. Patent 4,799,727. Glass Heat-sealed into topping. CAUTION: Must use WELL BLACK 7202 (below) with GL304 Glass Window, or glass or hinge may break.	9.0#		(O.S.)*14
WELL BLACK 7202	1967-70	Deep Well to accommodate Non-Original GL304 folding Glass Window.	1.5		3
CABLES 7201	1967-70	Camaro Side Tension Cables (pr).			1

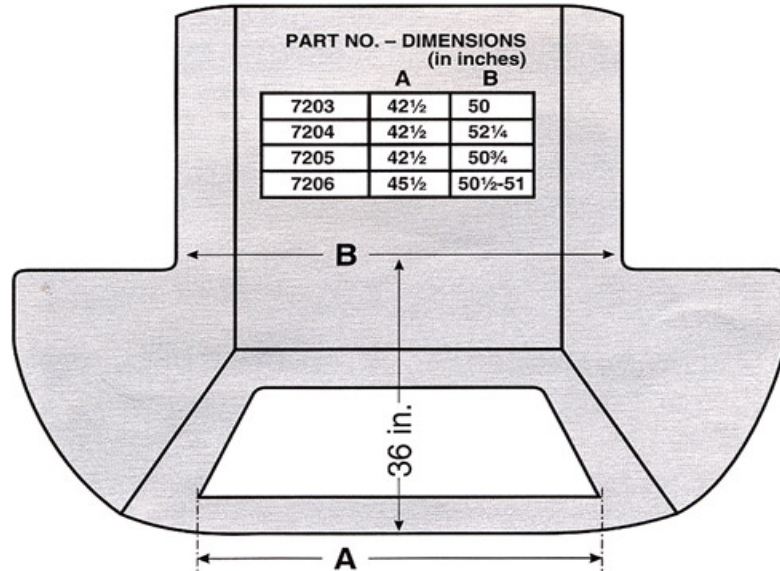
Original Topping 7201, 7202: Black/Black, GM White/Black (and other discontinued colors) Pinpoint Grain Double Texture Vinyl.



CHEVROLET (Continued)

Install Hours Bow Height Ship Wt. Lbs.

CAMARO 1987-93



7203**	1987-88	Chevrolet Camaro, Iroc-Z, Top. A.S.C. (**Order by Measurements Only)	6.0	9
7204**	1988-91	Chevrolet Camaro, Iroc-Z, Top. A.S.C. (**Order by Measurements Only)	6.0	9
7205**	1990-92	Chevrolet Camaro, Iroc-Z, Top. A.S.C. (**Order by Measurements Only)	6.0	9
7206**	1990-93	Chevrolet Camaro, Iroc-Z, Top. A.S.C. (**Order by Measurements Only)	6.0	9
972L	1993	Chevrolet Camaro, Iroc-Z, Original style two piece headliner with plastic extrusions.	8.0#	5
CABLES 720	1987-93	Chevrolet Camaro Side Tension Cables (pr).		1

DISCLAIMER: A.S.C. and General Motors made many changes to the Camaro convertible top and top frame. Some tops have elastic straps at the rear quarters, and others do not. The rear bow position was changed several times so we cannot guarantee that the rear seam in our top will line up over the rear bow of Camaro convertibles. No records are available to us as to when these changes were made. Top frame design problems can cause premature wear, cuts and holes in the rear quarters; and the lower rail can cut the topstitch at rear quarters. Robbins cannot be held responsible for damage to our products caused by the problems described above.

Original Topping for 7203, 7204, 7205, and 7206: 1987-89 Camaro: Black/Black Pinpoint Grain Double Texture Vinyl. Black Haartz Stayfast Cloth with Black backing. 1990-93 Camaro: Black/Black Stayfast Cloth.

7210	1994-02	Chevrolet Camaro Top, A.S.C., No seam at rear bow. For 1994 models request rear tack strip. Pre-drilled alignment holes.	7.0	23 1/4	7
HD720	1994-02	Tinted Htr/Def Glass for 7210 Top. Made with original style extrusion into which stiffener rod from old glass should be inserted. No Zipper. Glass Heat-sealed into curtain as original.	10.0#		(O.S.)*13

Continued Next Page...



ROBBINS 2008 PRODUCT CATALOG (PDF)

CHEVROLET (Continued)

			Install Hours	Bow Height	Ship Wt. Lbs.
973L	1994-02	Chevrolet Camaro Headliner. Made with original style extrusions. (HL VLB).	10.0#		4
CABLES 7210	1994-02	23" Overall Length, Side Cables for 7210 Top. (Order CABLES 7210A for 29" OAL.)			1
CABLES 7210A	1994-02	29" Overall Length, Side Cables for 7210 Top. (Order CABLES 7210 for 23" OAL.)			1

DISCLAIMER: A.S.C. and General Motors have modified the 1994-2001 Camaro Top and Glass Window to eliminate damage to tops and broken glass windows caused by problems in the top frame design. Robbins cannot be held responsible for cuts, holes, broken glass, etc., caused by the manufacturer's design of the top or top frame.

*Original Topping for 7210: Black and Dark Beige and discontinued colors Haartz Stayfast Cloth with Black backing.
Bright White/Black Standard Grain Double Texture Vinyl.*

CAVALIER

7310	1983-87	Chevy Cavalier Top, A.S.C. Pre-drilled alignment holes.	6.0	21 1/2	9
PC7310*	1983-87	Plastic Window for 7310 Top, with zipper and bottom color trim.	8.0#		4
CABLES 7310	1983-87	Chevy Cavalier, Main Side Tension Cables (pr)			1
CABLES 731 REAR	1983-87	Chevy Cavalier, rear quarter flap cables (pr).			1
7311	1988-91*	Chevy Cavalier Top. Open Header, Wire-On, Fits Plastic Window with no bottom color trim (No glass Window). *Some 1991 style Cavaliers were produced in early 1992. These convertibles were originally equipped with a standard tack trip at the rear bow. Check for header and window type, and wire-on before ordering.	6.0	26 1/4	9
PC7311	1988-92	Plastic Window for 7311 Top. No exposed color trim. Order KV BKB to match all top colors.	8.0#		4
CABLES 7311	1988-91	Chevy Cavalier, main side tension cables (pr).			1
CABLES 731 REAR	1983-87	Cavalier, rear quarter flap cables (pr).			1
7312	1992-93*	Chevy Cavalier Top, A.S.C., Open Header, No Wire-On. Fits early 1992 until production began in early 93, with Glass Window as Original Equipment. Rear bow must be modified to make 7312 fit models built before March '92. No binding across front, uses header strip. Check for header and window type, and wire-on before ordering.	7.0	27	10
7313	1993½ -94	Chevy Cavalier Top. Header Bow Pocket with Binding around edge. White tops made with black binding over door glass and at front header bow, as original. Check for header and window type, and wire-on before ordering.	6.0	27	9
TN412	1992-94	Tinted Glass Window for 7312 and 7313 Top.	9.0#		(O.S.)*14
HD412	1992-94	Heater/Defroster Glass for 7312 and 7313 Top.	9.5#		(O.S.)*14
PC7312	1992-94	Non-Original Plastic Window for 7312, 7313 Top. Bottom color trim. No Zipper. Has original style extrusion with metal stiffener rod to fit into rear bow.	8.0#		5
CABLES 7312	1992-94	Chevy Cavalier Side Tension Cables (pr).			1
CABLES 731 REAR	1983-87	Chevy Cavalier Side Rear Flap Cables (pr).			1

Original Toppings for 7310 1983-85: Black (and other discontinued colors) Pinpoint Grain Double Texture Vinyl.

7310, 7311, 7312 1986-93:Black (and other discontinued colors) Pinpoint Grain Double Texture Vinyl.

7313 1994 Black/Black Sunbird White/Black EV Single Texture Vinyl with black polyester/cotton backing.

#HOURS LISTED ARE FOR INSTALLATION OF TOP AND WINDOW OR HEADLINER

*O.S.=OVERSIZE OR DIM. WEIGHT APPLIES

©2008 ROBBINS AUTO TOP CO., INC., OXNARD, CALIFORNIA, USA. TEL (877) 404-3200 FAX (805) 604-3201 WWW.ROBBINSAUTOTOP.COM



ROBBINS 2008 PRODUCT CATALOG (PDF)

<i>CHEVROLET (Continued)</i>			Install Hours	Bow Height	Ship Wt. Lbs.
7316	1995-98	Chevy Cavalier Top, With Deck Seams. White Tops made with black binding over door glass. Pre-drilled alignment holes.	6.0	27 1/2	8
7317	1998½-00	Chevy Cavalier Top. No deck seams. White Tops made with black binding over door glass. Made with Partitioned Cable Sleeve, U.S. Patent 6,022,064. Pre-drilled alignment holes.	6.0		7
TN416	1995-00	Non-Heated Glass Window for 7316, 7317 Tops. Glass Heat-sealed into curtain.	9.0#		(O.S.)*16
HD416	1995-00	Heater/Defroster Glass Window for 7316, 7317 Tops. Glass Heat-sealed into curtain. Made w/extrusion and stiffener rod to fit into rear bow. No Zipper as original.	9.0#		(O.S.)*16
PC7316	1995-00	Non-Original Plastic Window for 7316, 7317 Tops. No Zipper, bottom color trim.	8.0#		6
974L	1996-97	Chevy Cavalier Headliner. Made with original style extrusions. (HL VLB).	9.0#		4
CABLES 7316	1995-98	Chevy Cavalier Side Tension Cables (pr).			1
CABLES 7317	1999-00	Chevy Cavalier Side Tension Cables (pr).			1

CAUTION: Technical Bulletins 63-10-49 and 63-15-15 have been issued by GM describing problems with Top frames in 1995-00 Cavalier and Sunfire models. There have also been reports of rear seat backrest being bent out of shape which can cause the Headliner and Top to snag when the Top and Glass Window are lowered, causing listings to fail and cuts and holes to develop in the Top. Robbins cannot be held responsible for damage to our products by the causes described above.

Original Toppings for 7316: Black, Bright White, Neutral Pinpoint Grain EV Single Texture Vinyl with Black Polyester/Cotton backing.

CELEBRITY

7315	1984-86	Chevrolet Celebrity Top. Look for Hess & Eisenhardt nameplate on Driver's door or trunk lid. Glass Window not available. Headliner not supplied.	6.0	18 1/2	10
PC7315	1984-86	Plastic Window for 7315 Top.	8.0#		5

CORVETTE

2050S	1953-55	Corvette Top. Made with sewn plastic window. Cloth tops made with stitched deck seams and matching cloth binding as original.	5.5	15 3/4	7
<i>Original Topping for 2050S: Tan/Tan Cotton Harmony Cloth (Discontinued).</i>					
2051††	1956-58	Corvette Top. Plastic Window Heat-sealed into Tops made in Vinyl.	5.5	15 1/2	7
2051S††	1956-58	Corvette Top. Sewn Plastic Window.	5.5	15 1/2	7
2052W††	1959-60	Corvette Top. Original Style Reverse Heat-sealed Window with Dual Groove embossing around Plastic Window opening, for 2052W made in Vinyl only.	5.5	15 3/4	7
2053W††	1961-62	Corvette Top. Original Style Reverse Heat-sealed Window with Dual Groove embossing around Plastic Window, for 2053W made in Vinyl only.	5.5	15 1/2	7
851 BLACK	1956-62	Corvette Original Style Top Pads for 2051, 2052W, 2053W.	1.0		3
2054W††	1963-67	Corvette Sting Ray Top. Original Style Reverse Heat-sealed Window with Dual Groove embossing around Plastic Window opening, for 2054W made in Vinyl only.	5.5	18 1/2	7
854 BLACK	1963-67	Original style Top Pads for 2054W Top, black or tan. (4 pc).	1.0		3

#HOURS LISTED ARE FOR INSTALLATION OF TOP AND WINDOW OR HEADLINER

*O.S.=OVERSIZE OR DIM. WEIGHT APPLIES

©2008 ROBBINS AUTO TOP CO., INC., OXNARD, CALIFORNIA, USA. TEL (877) 404-3200 FAX (805) 604-3201 WWW.ROBBINSAUTOTOP.COM



ROBBINS 2008 PRODUCT CATALOG (PDF)

CHEVROLET (Continued)

Install Hours	Bow Height	Ship Wt. Lbs.
---------------	------------	---------------

CORVETTE (Continued)

2055W††	1968-75	Corvette Sting Ray Top. Original Style Reverse Heat-sealed Window w/Dual Groove embossing around Plastic Window opening, for 2055W made in Vinyl only. Made with original style Crush Grain Binding. (Not available in all colors).	5.5	14 1/2	7
855 BLACK	1968-75	Corvette Original style Top Pads for 2055W Top, black or tan (pr).	1.0		3
CABLES 2055	1968-75	Corvette Side Tension Cables (pr).			2

††: Original style Warning Tag available. Specify with "T" (e.g., 2052WT) when ordering, add \$10.00 to retail.

NOTE: 2052, 2053, 2054, 2055 Cloth tops are made with sewn plastic window and "W" is omitted.

Original Topping for 2051,2052W,2053W,2054W,2055W: Black, GM White (and other discontinued colors), Pinpoint Grain Double Texture Vinyl.

2056WS	1986-93	Corvette Top, Made with Plastic Window Reverse Heat-sealed and Stitched.	7.0	16 1/2	7
---------------	----------------	---	-----	--------	---

NOTE: Corvette and A.S.C. made tops with heat-sealed plastic windows only, and changed to making tops with stitched and heat-sealed plastic windows to avoid problems with windows falling out. Corvette and A.S.C. also changed the size of the plastic window, as well as the position of the rear bow, and no records are available to us as to when these changes occurred. Robbins makes 2056WS tops using the same window size that Corvette used in the later years this model was produced.

956L	1986-96	Corvette Headliner Made with original style plastic extrusions. (HL VLB).	9.0#		5
CABLES 2056	1986-93	Corvette Side Tension Cables (pr).			1
2057	1994-96	Corvette Top, With Heated Glass. Retrofits 1986-93 With GM Conversion Kit.	7.0		(O.S.)*12
2057T	1994-96	Corvette Top, With Non-Heated Glass. Retrofits 86-93 With GM Conversion Kit.	7.0		(O.S.)*12
KIT 2057	1994-96	GM Conversion Kit (GM Part # 12522961) REQUIRED to install 2057, 2057T top on 1986-93 Corvette originally equipped with plastic window. (Power leads in kit can be omitted if installing 2057T; however, remainder of kit must be installed.)	2.0		1.5

Original Topping: 2056WS, 2057, 2057T: 1986-89 Black Haartz Stayfast Cloth with Black backing; GM White and Light Saddle Pinpoint Grain Double Texture Vinyl. 1990: Black Haartz Stayfast Cloth with Black backing; Bright White and Light Saddle Pinpoint Grain Double Texture Vinyl. 1991-93: Black, Blue (91-93), Tan, (91-93), Dark Ruby (93 Only) Haartz Stayfast Cloth with Black backing; Glacier (Bright) White/Black Pinpoint Grain Double Texture Vinyl.

2058	1998-04	Corvette Top with Heater/Defroster Glass Window. Glass Heat-sealed into top as original. Toppings made with original style cloth binding, die cut plastic reinforcements and elastic straps.	7.0		(O.S.)*12
957L	1998-99	Corvette Headliner. Made with original style plastic extrusions. (HL VLB).	9.0#		5
958L	2000-04	Corvette Headliner. Made with original style plastic extrusions. (HL VLB).	9.0#		5
CABLES 2058	1998-04	Corvette Side Tension Cables (pr).			1

Original Topping for 2058: Black, Lt. Oak, Med. Neutral Haartz Twillfast Cloth with Black dobby backing; Bright White/Black Sailcloth Double Texture Vinyl.

#HOURS LISTED ARE FOR INSTALLATION OF TOP AND WINDOW OR HEADLINER

*O.S.=OVERSIZE OR DIM. WEIGHT APPLIES

©2008 ROBBINS AUTO TOP CO., INC., OXNARD, CALIFORNIA, USA. TEL (877) 404-3200 FAX (805) 604-3201 WWW.ROBBINSAUTOTOP.COM



ROBBINS 2008 PRODUCT CATALOG (PDF)

<i>CHRYSLER</i>			Install Hours	Bow Height	Ship Wt. Lbs.
5505	1963-64	Chrysler Newport, 300 Top.	6.0	30 1/4	10
PC5505	1963-64	Plastic Window for 5505 Top. Zipper, No bottom color trim.	8.0#		5
5506	1965-66	Chrysler Newport, 300 Top.	6.0	27 1/2	10
PC5506	1965-66	Plastic Window for 5506 Top. Zipper, No bottom color trim.	8.0#		5
<i>Original Topping for 5505, 5506: Black, White (and other discontinued colors.) Pinpoint Grain Double Coated Vinyl.</i>					
5508	1967-68	Chrysler Newport, 300 Top.	6.0	29 1/2	10
PC5508	1967-68	Plastic Window for 5508 Top. Zipper, No bottom color trim.	8.0#		5
TN151	1967-68	Glass Window for 5508 Top.	9.0#		(O.S.)*19
<i>Original Topping for 5508: 1967-Black, White, and colors, Pinpoint Grain Double Texture Vinyl. 1968-Black, White (and other discontinued colors), Chrysler Crush Grain Double Texture Vinyl.</i>					
5510	1969-70	Chrysler Newport, 300 Top.	6.0	33 1/4	
PC5510	1969-70	Plastic Window for 5510 Top. Zipper, bottom color trim.	8.0#		6
TN153	1969-70	Glass Window for 5510 Top. Zipper. Glass Heat-sealed into topping.	8.0#		(O.S.)*21
<i>Original Topping for 5510: Black, White, and colors, Chrysler Crush Grain Double Texture Vinyl.</i>					
LEBARON					
5401	1982-83	Chrysler LeBaron Top. Made with elastic at bottom of quarters to prevent cuts or holes from occurring in top.	6.0	24 1/2	9
PC5401	1982-83	Plastic Window for 5401 Top. Zipper, bottom color trim.	8.0#		4
TN100	1982-83	Non-Original Folding Glass for 5401 Top. With zipper and Robbins Flex Hinge®, (U.S. Patent 4,799,727). Glass must be unzipped and lowered before lowering top.	9.0#		(O.S.)*16
801 BLACK	1982-83	Top Pads for 5401 Top, factory original style, black or tan. (pr).	1.0		3
CABLES 5401	1982-83	Side Tension Cables for 5401 Top. (pr).			1
5402	1984-86	Chrysler LeBaron Top. Pre-drilled alignment holes.	6.0	22 3/4	9
TN102	1984-86	Glass Window for 5402 Top. Glass heat-sealed into curtain.	9.0#		(O.S.)*14
PC5402	1984-86	Non-Original Plastic Window for 5402 Top. Zipper, bottom color trim.	*8.0		4
802 BLACK	1984-86	Top Pads Only, Black or Tan (Rear quarter webbing pads not included), pair.	1.0		3
802 FULL BLACK	1984-86	Non-Original full top and quarter pads, black or tan, set.	1.0		3
CABLES 5402	1984-86	Side Tension Cables for 5402 Top.			1
<i>Original Topping for 5401, 5402: Black (and other discontinued colors) Double Texture Vinyl.</i>					
5404	1987-95	Chrysler LeBaron Top, No Wire-on. Listing at rear bow. Fits all 87-95 LeBarons. (Wire-On eliminated by Chrysler in 1990.) Pre-drilled alignment holes. Buckram reinforcement pads included in box to sew on underside of webbing pads, to help prevent or defer damage by frame components. Pads should be checked and replaced when necessary.	9.5	22 1/4	9
HD103	1987-95	Heater/Defroster Glass for 5404 Top, with zipper as original for 1987-Feb.1990.	11.5#		(O.S.)*15
HD104	1987-95	Heater/Defroster Glass, No Zipper for 5404 (Zipper eliminated March 1991).	11.5#		(O.S.)*15
TN103	1987-95	Non-Original Non-Heated Glass, With Zipper for 5404.	11.5#		(O.S.)*15
TN104	1987-95	Non-Original Non-Heated Glass, No Zipper for 5404.	11.5#		(O.S.)*15
PC5403	1987-95	Non-Original Plastic Window, With Zipper for 5404.	11.5#		4
PC5404	1987-95	Non-Original Plastic Window, No Zipper for 5404.	11.5#		4

Continued Next Page...

#HOURS LISTED ARE FOR INSTALLATION OF TOP AND WINDOW OR HEADLINER

*O.S.=OVERSIZE OR DIM. WEIGHT APPLIES

©2008 ROBBINS AUTO TOP CO., INC., OXNARD, CALIFORNIA, USA. TEL (877) 404-3200 FAX (805) 604-3201 WWW.ROBBINSAUTOTOP.COM



ROBBINS 2008 PRODUCT CATALOG (PDF)

<i>CHRYSLER (Continued)</i>			Install Hours	Bow Height	Ship Wt. Lbs.
967L	1987-89	Chrysler LeBaron Headliner (HL AGT, BUC, DBL, DGY, MAR, MBL, TPE).	11.5#		5
968L	1990-94	Chrysler LeBaron Headliner (HL AGT, BUC, DBL, DGY, MAR, MBL, TPE).	11.5#		5
969L	1995	Chrysler LeBaron Headliner (HL AGT, BUC, DBL, DGY, MAR, MBL, TPE).	11.5#		5
CABLES 5403	1987-91	Chrysler LeBaron Side Tension Cables (pr).			1
CABLES 5404	1992-95	Chrysler LeBaron Side Tension Cables (pr).			1
PAD KIT 5404	1987-95	Buckram rubber pads to reinforce LeBaron webbing top pads (Not supplied).	1.5		3

CAUTION: Chrysler issued Service Bulletin 23-23-89/P-3754 (and others) describing cuts and holes in top caused by abrasion or pinching of top by 1987-95 LeBaron top frames, and the repair procedures which dealers need to perform. Robbins cannot be held responsible for damage caused to our products by top frames, body components or the design of the convertible top.

Original Topping: 87-95 5404: Black/Black, Bright White/Black, (and other discontinued colors), Pinpoint Grain Double Texture Vinyl, 90-92 5404, Black/Black, Bright White/Black (and other discontinued colors), Sailcloth Double Texture Vinyl. 93-95 5404: Black/Gray, Light Buckskin/Gray, Medium Quartz/Gray, Bright White/Gray Single Texture Sailcloth Vinyl with Gray polyester/cotton backing.

5400C	1989-91	Chrysler Maserati TC Top Only. Made with matching cloth binding. Fits with factory rear glass. Replacement glass window Not Available.	8.0		9
<i>Original Topping for 5400C: Haartz Black Stayfast Cloth with black backing.</i>					

SEBRING / STRATUS (EUROPE)

5411	1996-00	Chrysler Sebring, Stratus (Europe) Top, w/Rain Guards, OE style extrusions, reversed deck seams, and straps to attach to top frame. Predrilled alignment holes.	9.0	26 1/4	9
5412	2001-06	Chrysler Sebring, Stratus (Europe) Top, w/Rain Guards, OE style extrusions, reversed deck seams, and straps to attach to top frame. Predrilled alignment holes.	9.0	26 1/4	9
HD105	1996-06	Heated Glass for 5411, 5412 tops. Glass Heat-sealed into curtain. Made with smaller size glass introduced in spring 1996. Made with original style extrusion to fit to rear bow. No Zipper. Bolt and Alignment Guide Holes Pre-Drilled.	11.0#		(O.S.)*18
TN105	1996-06	Same as above, with No Heater/Defroster.	11.0#		6
PC5410	1996-06	Non-Original Plastic Window for 5411, 5412 Tops. Made with original style extrusion to fit to rear bow. No zipper, bottom color trim.	11.0#		6
970L	1996-00	Chrysler Sebring, Stratus (Europe) Headliner. OE style extrusions. (HL SEB).	11.5#		4
971L	2001-06	Chrysler Sebring, Stratus (Europe) Headliner. OE style extrusions, foam back.	11.5#		4
CABLES 5411	1996-06	Chrysler Sebring, Stratus (Europe) Side Tension Cables (pr).			1

Original Vinyl Topping for 5411: 1996-00 Black, Camel, White Sailcloth Vinyl with Gray Polyester/Cotton backing. Original Cloth Topping for 5411C: 1996-97 Black, Camel (mottled tan), Beige Haartz LM (JX) Twill Weave Cloth with Gray Polyester/cotton backing. 1997-2000 Black, Sandalwood Haartz Cloth with Gray polyester/cotton backing. Original Vinyl Topping 5412: Black, Sandalwood Sailcloth Vinyl with gray polyester/cotton backing. Original topping for 5412C: 2000-05 Black and Sandalwood; 2003: Bridgewater Blue; 2004: Taupe and Seamist Green Haartz Twill fast Cloth with Gray Polyester/Cotton blend backing.

5413	2008	Chrysler Sebring Top. Fits to original heated rear glass. Made with original style extrusions and molded plastic retainers. Headliner not supplied.	6.0	N/A	9
------	------	--	-----	-----	---

Original Vinyl Topping: Black Haartz Sailcloth Vinyl with Gray Polyester/Cotton backing; Black, Pebble Beige Haartz Twillfast Cloth with Gray Polyester/Cotton blend backing.

#HOURS LISTED ARE FOR INSTALLATION OF TOP AND WINDOW OR HEADLINER

*O.S.=OVERSIZE OR DIM. WEIGHT APPLIES

©2008 ROBBINS AUTO TOP CO., INC., OXNARD, CALIFORNIA, USA. TEL (877) 404-3200 FAX (805) 604-3201 WWW.ROBBINSAUTOTOP.COM



ROBBINS 2008 PRODUCT CATALOG (PDF)

CHRYSLER (Continued)

Install Hours Bow Height Ship Wt. Lbs.

PT CRUISER

5420C	2004-On	Chrysler PT Cruiser Top with Heated Glass Window. Glass Heat-Sealed into top. Original style acoustic dampener padding, and rainguards. Top fits to original headliner using our unique system of brackets to which the OE headliner extrusion attaches. U.S. Patents 7,051,413 and 7,069,633. Headliner not supplied.	10.0		(O.S.)*23
--------------	----------------	---	------	--	-----------

Original Topping: Black, Pebble Beige, Maroon (2005 Only, Discontinued); Taupe (2004 Only)

Hartz Twillfast Cloth (TWR) with Black backing.

CLENET

Install Hours Bow Height Ship Wt. Lbs.

2525R	77-Mid 79	Clenet Roadster Series 1 Top. Hand-Rolled Binding. Headliner not supplied. Top attaches to body with four Tenax fasteners on each side. 1 sewn Plastic Window. Top fits Series 1 only. Series 2 and 3 tops not available.	5.0		8
--------------	------------------	--	-----	--	---

Original Topping for 2525R: Black and Colors CG Crush Grain Vinyl.

DODGE

Install Hours Bow Height Ship Wt. Lbs.

5101	1963-64	Dodge Dart, GTS Top. Pre-drilled alignment holes.	6.0	24 1/2	9
PC5101	1963-64	Plastic Window for 5101 Top. Zipper, No bottom color trim.	8.0#		5
5102	1965-66	Dodge Dart, GTS Top.	6.0	24 1/2	9
PC5102	1965-66	Plastic Window for 5102 Top. Zipper, No bottom color trim.	8.0#		5
5103	1967	Dodge Dart Top.	6.0	24 1/2	9
5104	1968-70	Dodge Dart Top.	6.0		9
PC5103	1967-70	Plastic Window for 5103 and 5104 Tops. Zipper, with bottom color trim.	8.0#		5

Original Topping for 5101, 5102, 5103: Black, White (and other discontinued colors.) Pinpoint Grain Double

Coated Vinyl; 5104: Black, White (and other discontinued colors), Chrysler Crush Grain Double Texture Vinyl.

5506	1965-66	Dodge Polara Top.	6.0	27 1/2	10
PC5506	1965-66	Plastic Window for 5506 Top. Zipper, No bottom color trim.	8.0#		5

Original Topping for: 5506: Black, White, and colors, Pinpoint Grain Double Texture Vinyl.

5508	1967-68	Dodge Polara Top.	6.0	29 1/2	10
PC5508	1967-68	Plastic Window for 5508 Top. Zipper, No bottom color trim.	8.0#		5
TN151	1967-68	Glass Window for 5508 Top. Zipper, Glass Heat-sealed into topping.	9.0#		(O.S.)*19
5510	1969-70	Dodge Polara Top.	6.0	33 1/4	10
PC5510	1969-70	Plastic Window for 5510 Top. Zipper, bottom color trim.	8.0#		6
TN153	1969-70	Tinted Glass Window for 5510 Top. Zipper. Glass Heat-sealed into topping.	8.0#		(O.S.)*21

Original Topping for: 5508, 5510: 1967-Black, White, and colors, Pinpoint Grain Double Texture Vinyl.

1968-71 Black, White (and other discontinued colors), Chrysler Crush Grain Double Texture Vinyl.

5507	1966	Dodge Coronet Top.	6.0	27	10
PC5507	1966	Plastic Window for 5507 Top. Zipper, No bottom color trim.	8.0#		5
5509	1967-70	Dodge Coronet Top.	6.0	23 1/4	10
PC5509	1967-70	Plastic Window for 5509 Top. Zipper, bottom color trim.	8.0#		5
TN152	1967-70	Glass Window for 5509 Top. Zipper, Glass Heat-sealed into topping.	9.0#		(O.S.)*17

#HOURS LISTED ARE FOR INSTALLATION OF TOP AND WINDOW OR HEADLINER

*O.S.=OVERSIZE OR DIM. WEIGHT APPLIES

©2008 ROBBINS AUTO TOP CO., INC., OXNARD, CALIFORNIA, USA. TEL (877) 404-3200 FAX (805) 604-3201 WWW.ROBBINSAUTOTOP.COM



ROBBINS 2008 PRODUCT CATALOG (PDF)

<i>DODGE (Continued)</i>			Install Hours	Bow Height	Ship Wt. Lbs.
5302	1970-71	Dodge Challenger Top.	6.0	22 1/2	10
PC5302	1970-71	Plastic Window for 5302 Top. Zipper, bottom color trim.	8.0#		5
TN132	1970-71	Glass Window for 5302 Top. Zipper. Glass Heat-sealed into topping.	9.0#		(O.S.)*16

Original Topping for: 5302, 5507, 5509: 1966-Black, White, and colors, Pinpoint Grain Double Texture Vinyl.

1968-71 Black, White (and other discontinued colors), Chrysler Crush Grain Double Texture Vinyl.

400 & 600

5401	1982-83	Dodge 400 Top. Elastic at bottom of quarters to prevent cuts or holes in top.	6.0	24 1/2	9
PC5401	1982-83	Plastic Window for 5401 Top. Zipper, bottom color trim.	8.0#		4
TN100	1982-83	Non-Original Folding Glass for 5401 Top. With zipper and Robbins Flex Hinge®, (U.S. Patent 4,799,727) Glass must be unzipped and laid in well before lowering top.	9.0#		(O.S.)*16
801 BLACK	1982-83	Top Pads for 5401 Top, factory original style, black or tan. (pr).	1.0		3
CABLES 5401	1982-83	Side Tension Cables for 5401 Top. (pr).			1
5402	1984-86	Dodge 600, 600ES Top. Pre-drilled alignment holes.	6.0	22 3/4	9
TN102	1984-86	Glass Window for 5402 Top. Glass heat-sealed into topping.	9.0#		(O.S.)*14
PC5402	1984-86	Non-Original Plastic Window for 5402 Top. Zipper, bottom color trim.	*8.0		4
802 BLACK	1984-86	Top Pads Only, Black or Tan (Rear quarter webbing pads not included), pair.	1.0		3
802 FULL BLACK	1984-86	Non-Original full top and quarter pads, black or tan, set.	1.0		3
CABLES 5402	1984-86	Side Tension Cables for 5402 Top			1

Original Topping for 5401, 5402: Black (and other discontinued colors) Double Texture Vinyl.

SHADOW

5000	1991-93	Dodge Shadow Top, Wide Deck. Measures 41 inches seam to seam across 2nd Bow. Made as original with plastic extrusion at rear bow. Pre-drilled alignment holes.	6.0	19	10
5000A	1991-93	Dodge Shadow Top, Narrow Deck. Measures 40 inches seam to seam at 2nd Bow. Made as original with plastic extrusion at rear bow. Pre-drilled alignment holes.	6.0	19	10
PC5000	1991-93	Plastic Window for 5000 and 5000A Tops. Zipper, bottom color trim. Steel stiffener from old window must be reused in PC5000.	10.0#		5
CABLES 5000	1991-93	Dodge Shadow Side Tension Cables (pr).			1

Original Topping for 1991-1992 5000: Black, Bright White (and other discontinued colors) Sailcloth Double Texture Vinyl with Black cotton backing. 1993 5000: Black blue, Light Buckskin, Medium Quartz, Bright White (and other discontinued colors) Single Texture Sailcloth Vinyl with Gray polyester/cotton backing.



ROBBINS 2008 PRODUCT CATALOG (PDF)

<i>FORD</i>			Install Hours	Bow Height	Ship Wt. Lbs.
6503	1961-62	Ford Galaxie Top.	6.0	26 3/4	10
PC6503	1961-62	Plastic Window for 6503 Top. Zipper, No bottom color trim.	6.0#		5
6504	1963	Ford Galaxie Top.	6.0	23 1/2	10
PC6504	1963	Plastic Window for 6504 Top. Zipper, No bottom color trim.	8.0#		5
6101	1963-65	Ford Falcon, Sprint Top. Pre-drilled alignment holes.	6.0	23 1/2	9
PC6101	1963-65	Plastic Window for 6101 Top. Zipper, No bottom color trim.	8.0		5
6505	1964	Ford Galaxie, XL Top.	6.0	23	10
PC6505	1964	Plastic Window for 6505 Top. Zipper. No bottom color trim.	8.0#		5
TN337	1964	Glass Window for 6505 Top. Zipper, Glass Heat-sealed into curtain.	9.0#		(O.S.)*23
6506	1965-66	Ford Galaxie, XL Top. Pre-drilled alignment holes.	6.0	27	11
PC6506	1965-68	Plastic Window for 6506 and 6507 Top. Zipper, No bottom color trim.	8.0#		5
TN338	1965-66	Glass Window for 6506 Top. Zipper. Glass Heat-sealed into curtain.	9.0#		(O.S.)*18
CABLES 6506	1965-66	Side Tension Cables for 6506 and 6507 Top			1
6507	1967-68	Ford Galaxie, LTD, XL Top.	6.0	28	9
TN339	1967-68	Glass Window for 6507 Top. Glass Heat-sealed into topping.	9.0#		(O.S.)*18
PC6506	1965-68	Plastic Window for 6506 and 6507 Top. Zipper, No bottom color trim.	8.0#		5
6301	1966-67	Ford Fairlane Top. Pre-drilled alignment holes.	6.0	27	9
PC6301	1966-67	Plastic Window for 6301 Top. Zipper, No bottom color trim.	8.0#		4
TN319	1966-67	Glass Window for 6301 Top. Zipper, Glass Heat-sealed into curtain.	9.0#		(O.S.)*18
6302	1968-71	Ford Fairlane, Torino Top. Pre-drilled alignment holes.	6.0	27	9
PC6302	1968-71	Plastic Window for 6302 Top. No bottom color trim.	8.0#		4
TN320	1968-71	Glass Window for 6302 Top. Zipper. Glass heat-sealed into curtain.	9.0#		(O.S.)*17
CABLES 6302	1968-71	Side Tension Cables for 6302 Top.			1
6508	1969-72	Ford Galaxie, LTD, XL Top.	6.0	30	10
PC6508	1969-72	Plastic Window for 6508 Top. Zipper. No bottom color trim.	8.0#		5
TN340	1969-72	Glass Window for 6508 Top. Zipper, Glass Heat-sealed into curtain.	9.0#		(O.S.)*19
CABLES 6508	1969-72	Side Tension Cables for 6508 Top.			1

Original Topping for 6101, 6503, 6504, 6505, 6506, 6301, 6302, 6507, 6508: Black, Ford White, Ford Blue (and other discontinued colors) Pinpoint Grain Double Texture Vinyl.

THUNDERBIRD

2510	1955-56	Ford Thunderbird Top.	4.0	18 1/2	6
PC2510	1955-56	Plastic Window for 2510 Top. Non-Original Horseshoe Zipper, bottom color trim.	5.5#		4
1510	1955-56	Ford Thunderbird Tonneau Cover.	3.5		7
2511	1957	Ford Thunderbird Top.	4.0	19 1/2	6
PC2511	1957	Plastic Window for 2511 Top. Zipper, bottom color trim.	5.5#		4
1510A	1957	Ford Thunderbird Tonneau. Non-Original narrow width permits windows to raise with tonneau installed.	3.5		7

Original Topping for 2510,2511: Black Haartz Stayfast Cloth with Black backing.

#HOURS LISTED ARE FOR INSTALLATION OF TOP AND WINDOW OR HEADLINER

*O.S.=OVERSIZE OR DIM. WEIGHT APPLIES

©2008 ROBBINS AUTO TOP CO., INC., OXNARD, CALIFORNIA, USA. TEL (877) 404-3200 FAX (805) 604-3201 WWW.ROBBINSAUTOTOP.COM



ROBBINS 2008 PRODUCT CATALOG (PDF)

<i>FORD (Continued)</i>			Install Hours	Bow Height	Ship Wt. Lbs.
<i>THUNDERBIRD (Continued)</i>					
6401	1958-60	Ford Thunderbird Top.	6.0	18 1/2	10
PC6401	1958-60	Plastic Window for 6401 Top. Zipper, bottom color trim and binding as original.	6.0#		4
<i>Original Topping for 6401: Black, Ford White, Ford Blue (and discontinued colors) Pinpoint Grain Double Texture Vinyl.</i>					
6402	1961-63	Ford Thunderbird Top. Bow Height measured from bottom of Tack Rail.	6.0	23 1/2	10
PC6402	1961-63	Plastic Window for 6402 Top. Zipper, bottom color trim and binding as original.	8.0#		5
6403	1964-67	Ford Thunderbird Top.	6.0	22 1/2	10
PC6403	1964-67	Plastic Window for 6403 Top. Zipper, bottom color trim and binding as original.	8.0#		5
CABLES 6403	1964-67	Side Tension Cables for 6403 Top.			1
<i>Original Topping for 6402, 6403: Black, Ford White, Ford Blue (and other discontinued colors) Pinpoint Grain Double Texture Vinyl.</i>					
2514C	2001-05	Ford Thunderbird Top. Made with original style rubber extrusions over door glass, rainguards and matching cloth binding. Pre-drilled alignment holes. Headliner not supplied.	8.0		8
HD514	2001-05	Heated Glass Window for 2514 Top. Glass Heat-sealed into topping as original.	10.0#		(O.S.)*20
<i>Original Topping for 2514C: Black Landmark (straight weave) Cloth with gray polyester/cotton blend backing.</i>					
<i>Light Ash, Merlot, Medium Steel Blue, Medium Lt. Stone Twillfast JX Cloth with gray polyester/cotton blend backing.</i>					
<i>MUSTANG</i>					
6202	1964½ -66	Ford Mustang Top. Use with Plastic Window ONLY, as original.	6.0	21	9
PC6202	1964½ -66	Plastic Window for 6202 Top. Zipper, No bottom color trim.	8.0#		4
6203	1964½ -66	Ford Mustang Top. Use with GL304 Folding Glass Window Retrofit ONLY.	6.0	21	9
WELL BLACK 6203	1964½ -66	Deep Well Liner for 1964½ -66 Mustang using GL304 Folding Glass.	1.0		4
CABLES 6200	1964½ -65	Side Cables for 1964 1/2 - 65 Mustang. Threaded end with nuts, no spring, (pr).			1
6204	1967-68	Ford Mustang Top. Fits PC6204 and GL304 windows. Pre-drilled alignment holes.	6.0	20 1/2	9
CABLES 6202	1966-68	Side Cables for 1965-68 Mustang. Ball on one end, spring on other end, (pr).			1
6205	1969-70	Ford Mustang Top. Fits PC6204 and GL304 windows. Pre-drilled alignment holes.	6.0	19 1/2	9
CABLES 6205	1969-70	Ford Mustang Side Tension Cables for 1969-70 Mustang, (pr).			1
PC6204	1969-70	Plastic Window for 6204 and 6205 Tops. Zipper, No bottom color trim.	8.0#		4
GL304	1964½ -70	Folding Glass Window with zipper for 6203, 6204, 6205 Tops. Made with Robbins Flex-Hinge®, U.S. Patent 4,799,727. (Folding Glass was original/optional for Mustang beginning 1967.)	9.0#		(O.S.)*14
6206	1971-73	Ford Mustang Top. Pre-drilled alignment holes.	6.0	25 1/4	9
PC6206	1971-73	Plastic Window for 6206 Top. Zipper, No bottom color trim.	8.0#		4
TN306	1971-73	Non-Original Glass Window with zipper for 6206 Top. (One Piece Glass.) Glass Heat-sealed into curtain.	9.0#		(O.S.)*16
CABLES 6206	1971-73	Side Cables for 1971-73 Mustang, (pr).			1
<i>Original Topping-6202, 6203, 6204, 6205, 6206: Black/Black, Ford Blue/Black, Ford White/Black (and other discontinued colors) Pinpoint Grain Double Texture Vinyl.</i>					
6208	1983-90	Ford Mustang Top. Rear Bow Plastic Insert Wire-On (in most original colors).	6.0	25 1/4	9
6209	1991-93	Ford Mustang Top. Listing at rear bow as original. No Wire-On. Pre-drilled alignment holes. Headliner was introduced in 1993. Headliner not supplied.	6.0	26	9

Continued Next Page...

#HOURS LISTED ARE FOR INSTALLATION OF TOP AND WINDOW OR HEADLINER

*O.S.=OVERSIZE OR DIM. WEIGHT APPLIES

©2008 ROBBINS AUTO TOP CO., INC., OXNARD, CALIFORNIA, USA. TEL (877) 404-3200 FAX (805) 604-3201 WWW.ROBBINSAUTOTOP.COM



ROBBINS 2008 PRODUCT CATALOG (PDF)

FORD (Continued)

Install Hours	Bow Height	Ship Wt. Lbs.
---------------	------------	---------------

MUSTANG (Continued)

TN307	1983-92	Rear Glass for 6208 and 6209 tops on 1983-92 Mustang. Original style Coil Zipper, No velcro . For tops with no headliner. Pre-drilled alignment holes. Glass heat-sealed into curtain.	9.0#		(O.S.)*16
TN310	1993	Rear Glass for 1993 Mustang (6209) top with Headliner. Velcro to attach to headliner, original style molded tooth zipper .	9.5#		(O.S.)*16
NOTE: TN307 and TN310 use Identical size, but slightly less curvature than glass used by Ford.					
PC6207	1983-93	Non-Original Plastic Window for 6208, and 6209 Tops . Zipper, Bottom Color Trim. Velcro installed to fit with Headliner in 93 model.	9.0#		4
827 BLACK	1983-90	Original Style Top and Quarter pads for 1983-90 Mustang . Fits with 6208 Top. Will NOT fit 1991-93 Mustang with Headliner.	2.0		5
CABLES 83-88	1983-88	Side Cables for 1983-1988 and 1991-93 Mustang Tops . Length: 34 1/2", (pr).			1
CABLES 89-90	1989-90	Side Cables for 89-90 6208 Tops . Length: 35 1/2", (pr).			1
NOTE: For 1991-93 Mustang side tension cables order CABLES 83-88 (above).					

CAUTION: Service Bulletin 90-6-2 has been issued by the manufacturer advising of problems in 1989 Mustang top frames which can cut or tear convertible tops; and the repair procedures which are required. Robbins cannot be held responsible for damage which may occur as a result of the manufacturer's design of tops and top frames.

Original topping for 6208 and 6209: Black/Black, Oxford White/Black Cadet Blue/Black (and other discontinued colors) Haartz Pinpoint Grain Double Texture Vinyl.

6211	1994-95	Ford Mustang Top, 3 Listings as orig. for 1994-95 . Pre-drilled alignment holes.	8.0	24 1/2	9
6212	1996-99	Ford Mustang Top, 2 Listings as orig. for 1996-99 . Pre-drilled alignment holes.	8.0	24 1/2	9
6213	2000-04	Ford Mustang Top, 2 Listings, Rubber Extrusions sewn above door glass as original for 2000-04. Note: 6213 will also fit 1994-99 models.	8.0	24 1/2	9
TN311	1994-04	Non-Heated Glass for 6211, 6212, 6213 Tops .	10.0#		(O.S.)*15
HD311	1994-04	Heater/Defogger Glass for 6211, 6212, 6213 Tops .	10.0#		(O.S.)*15
TN311 and HD311 Glass Windows have elastic straps and no zipper. Sharply curved glass is virtually identical to original. Glass Heat-sealed into curtain. Pre-drilled alignment holes.					
PC6211	1994-2004	Non-Original Plastic Window for 6211, 6212, 6213 Tops . Color trim. No zipper.	10.0#		5
921L	1994-98	Headliner . Made with original style Plastic Extrusions. (HL VLB).	11.0#		4
922L	1999-04	Headliner . Made with original style Plastic Extrusions. (HL VLG with Foam Back).	11.0#		4
CABLES 6211	94-2/95	Mustang 94-2/95 Side Cables . Plate on one end Spring on other end, OAL: 35 1/8".			1
CABLES 6212	3/95-98	Mustang 3/95-98 Side Cables . Plate on one end Spring on other end, OAL: 35".			1
CABLES 6213	1999-04	Mustang 99-04 Side Cables . Plate on one end Spring on other end, OAL: 36 1/2".			1
CABLES 622 REAR	1994-04	Mustang 94-04 Quarter Flap Cables (pr) .			1

Original Topping: 6211, 6212 and 6213: 1994 Black/Black, Saddle/Black, Bright White/Black Pinpoint Grain Double Texture Vinyl. 1995/96 Black/Black, Saddle/Black, Bright White/Black Sailcloth Grain Double Texture Vinyl. 1997-2004: Black/Gray, Saddle/Gray, Bright White/Gray Sailcloth Single Texture Vinyl. 921L Headliner: Black Velour Cloth. 1999-2004: Parchment/Gray replaced Saddle/Gray Sailcloth Vinyl. 2002-04 Cobra: Black and Med. Parchment Haartz Twillfast Cloth with Black Dobby backing.

#HOURS LISTED ARE FOR INSTALLATION OF TOP AND WINDOW OR HEADLINER

*O.S.=OVERSIZE OR DIM. WEIGHT APPLIES

©2008 ROBBINS AUTO TOP CO., INC., OXNARD, CALIFORNIA, USA. TEL (877) 404-3200 FAX (805) 604-3201 WWW.ROBBINSAUTOTOP.COM



ROBBINS 2008 PRODUCT CATALOG (PDF)

FORD (Continued)

MUSTANG (Continued)

			Install Hours	Bow Height	Ship Wt. Lbs.
6220	2005-On	Mustang One-Piece Top with Heated Glass. Made with original style plastic extrusions to secure the top to the bows, left & right front quarter brackets to attach to frame, and original style rubber extrusions sewn in over door glass.	8.0	22 1/4	(O.S.)*15
923L	2005-On	Mustang Headliner made with original style Plastic Extrusions. (HL VLCF).	10.0#	TBA	TBA
CABLES 6220	2005-On	Side Tension Cables for 2005-On Mustang (pr).			1

*Original Topping for 6220: Black/Gray, Ford Camel/Gray Sailcloth Vinyl with Gray Polyester/cotton backing.
Cobra/GT500 Models: Black/Black Haartz Twillfast cloth.*

GEO METRO

			Install Hours	Bow Height	Ship Wt. Lbs.
7330	1990-93	Geo Metro Top with Plastic Window. Made as original with 3 plastic extrusions. . Predrilled alignment holes	6.0		10
CABLES 7330	1990-93	Side Cables for 7330 Top, pair.	1.0		1

Original topping for 7330: Black/Black, Black/ Gray Japanese Single Texture Vinyl (Similar to KV Grain Vinyl)

GEO / CHEVY TRACKER

			Install Hours	Bow Height	Ship Wt. Lbs.
7350	1989-94	Geo Tracker, Suzuki Sidekick (USA); Suzuki Vitara, (Europe & Australia) Top. Non-original plastic extrusion snaps to front bow. All seams topstitched and heat-sealed, plus reinforcements added for extra strength. Original style plastic corner brackets. Original style separating. Coil Zipper in rear window, Zipper Slide on Top. Unzips right to left when facing vehicle from rear. Dual quarter windows on each side. Regalite B.U.V. Plastic used in side windows and rear plastic window. Installation instructions supplied. Must reuse factory stiffener rod. (Suzuki dealer part no. 78399-60A00).	0.5		14
PC7350L	1989-94	Replacement Rear Plastic Window FOR FACTORY TOPS in EUROPE. Zipper Unzips Left to Right. Ring Pull Zipper Slide on Plastic Window. Full original style separating coil zipper sewn on PC7350 (Permits replacement of 1/2 zipper on top if this is damaged). Must reuse factory stiffener rod.	N/A		5
PC7350R	1989-94	Replacement Rear Plastic Window for 7350 and USA OE Tops. Zipper Unzips Right to Left. Full original style separating coil zipper sewn on PC7350 (Permits replacement of 1/2 zipper on top if this is damaged). Must reuse factory stiffener rod.	N/A		5
7351	1995-98	Geo/Chevy Tracker, Suzuki Sidekick,(Vitara in Europe and Australia) Top. Original style pocket with Durable snaps at front, die cut plastic reinforcements, rear window separating coil zipper (Unzips Left to Right), and removable dual quarter windows on each side.	0.5		(O.S.)*14
PC7351L	1995-98	Rear Plastic Window for 7351 Top. Zipper starter on left side of top when facing rear of vehicle. (Unzips left to right.) Zips into OEM Tracker and Sidekick tops sold in U.S.A; or Robbins 7351 Tops. Ring Pull Zipper Slide on Window Assy. Full original style separating coil zipper sewn on PC7351 (Permits replacement of 1/2 zipper on top if damaged.)	N/A		4

Continued Next Page...



ROBBINS 2008 PRODUCT CATALOG (PDF)

<i>GEO / CHEVY TRACKER (Continued)</i>			Install Hours	Bow Height	Ship Wt. Lbs.
PC7351R	1995-98	Rear Plastic Window Assembly for OE Vitara Tops in Europe. Zipper starter on right side of top when facing rear of vehicle. (Unzips right to left). Ring Pull Zipper Slide on Window Assembly. Full original style separating coil zipper sewn on PC7351 (Permits replacement of 1/2 zipper on top if this is damaged.)	N/A		4
SC7351	1995-98	Side Curtains (Pair) for 7351 Top. Also will zip into USA 1995-98 Tracker and Sidekick OE tops and dealer service parts tops.	N/A		4

Original Topping 7350, 7351: Black/Black, White/White Cami Double Coated Vinyl.

<i>LINCOLN</i>			Install Hours	Bow Height	Ship Wt. Lbs.
6602	1961-63	Lincoln Continental Top.	6.0	20 1/2	11
PC6602	1961-63	Plastic Window for 6602 Top. Zipper, bottom color trim and binding as original.	8.0#		5
6603	1964-65	Lincoln Continental Top.	6.0	20 1/2	11
PC6603	1964-65	Plastic Window for 6603 Top. Zipper, bottom color trim and binding as original.	8.0#		5
6604	1966-67	Lincoln Continental Top. Fits to factory glass window. Extra matching topping supplied to re-cover trim plate at base of glass.	8.0#		11

Original Topping for 6401, 6402, 6403: Black, Ford White, Ford Blue (and other discontinued colors) Pinpoint Grain Double Texture Vinyl.

<i>MERCURY</i>			Install Hours	Bow Height	Ship Wt. Lbs.
6503	1961-62	Mercury Monterey Top.	6.0	26 3/4	10
PC6503	1961-62	Plastic Window for 6503 Top. Zipper, No bottom color trim.	6.0#		5
6504	1963	Mercury Monterey Top.	6.0	23 1/2	10
PC6504	1963	Plastic Window for 6504 Top. Zipper, No bottom color trim.	8.0#		5
6101	1963-65	Mercury Comet, Caliente Top. Pre-drilled alignment holes.	6.0	23 1/2	9
PC6101	1963-65	Plastic Window for 6101 Top. Zipper, No bottom color trim.	8.0		5
6505	1964	Mercury Monterey, Park Lane Top.	6.0	23	10
PC6505	1964	Plastic Window for 6505 Top. Zipper. No bottom color trim.	8.0#		5
TN337	1964	Glass Window for 6505 Top. Zipper, Glass Heat-sealed into curtain.	9.0#		(O.S.)*23
6506	1965-66	Mercury Monterey, etc. Top. Pre-drilled alignment holes.	6.0	27	11
PC6506	1965-66	Plastic Window for 6506 Top. Zipper, No bottom color trim.	8.0#		5
TN338	1965-66	Glass Window for 6506 Top. Zipper. Glass Heat-sealed into curtain.	9.0#		(O.S.)*18
CABLES 6506	1965-66	Side Tension Cables for 6506 and 6507 Top.			1
6507	1967-68	Mercury Monterey, Parklane Top.	6.0	28	9
PC6506	1967-68	Plastic Window for 6506 and 6507 Top. Zipper, No bottom color trim.	8.0#		5
TN339	1967-68	Glass Window for 6507 Top. Glass Heat-sealed into topping.	9.0#		(O.S.)*18
CABLES 6506	1965-68	Side Tension Cables for 6506 and 6507 Top.			1

Original Topping for 6101, 6503, 6504, 6505, 6506, 6507: Black, Ford White, Ford Blue (and other discontinued colors) Pinpoint Grain Double Texture Vinyl.

#HOURS LISTED ARE FOR INSTALLATION OF TOP AND WINDOW OR HEADLINER

*O.S.=OVERSIZE OR DIM. WEIGHT APPLIES

©2008 ROBBINS AUTO TOP CO., INC., OXNARD, CALIFORNIA, USA. TEL (877) 404-3200 FAX (805) 604-3201 WWW.ROBBINSAUTOTOP.COM



ROBBINS 2008 PRODUCT CATALOG (PDF)

<i>MERCURY (Continued)</i>			Install Hours	Bow Height	Ship Wt. Lbs.
6301	1966-67	Mercury Comet, Cyclone, Caliente Top. Pre-drilled alignment holes.	6.0	27	9
PC6301	1966-67	Plastic Window for 6301 Top. Zipper, No bottom color trim.	8.0#		4
TN319	1966-67	Glass Window for 6301 Top. Zipper. Glass Heat-sealed into topping.	9.0#		(O.S.)*18
6302	1968-71	Mercury Comet, Cyclone, Montego Top. Pre-drilled alignment holes.	6.0	27	9
PC6302	1968-71	Plastic Window for 6302 Top. No bottom color trim.	8.0#		4
TN320	1968-71	Tinted Glass Window for 6302 Top. Zipper, Glass heat-sealed into topping.	9.0#		(O.S.)*17
CABLES 6302	1968-71	Side Tension Cables for 6302 Top.			
6508	1969-72	Monterey, Marquis Top.	6.0	30	10
PC6508	1969-72	Plastic Window for 6508 Top. Zipper. No bottom color trim.	8.0#		5
TN340*	1969-72	Glass Window for 6508 Top.	9.0#		(O.S.)*19
CABLES 6508	1969-72	Side Tension Cables for 6508 Top.			1

Original Topping for 6301, 6302, 6508: Black, Ford White, Ford Blue (and other discontinued colors) Pinpoint Grain Double Texture Vinyl.

COUGAR

6205	1969-70	Mercury Cougar Top. Pre-drilled alignment holes. (Fits with PC6204 and GL304 windows.)	6.0	19 1/2	9
CABLES 6205	1969-70	Side Tension Cables for 1969-70 Cougar, (pr).			1
PC6204	1969-70	Plastic Window for 6204 and 6205 Tops. Zipper, No bottom color trim.	8.0#		4
GL304	1964½ -70	Folding Glass Window with zipper for 6203, 6204, 6205 Tops. Made with Robbins Flex-Hinge®, U.S. Patent 4,799,727.	9.0#		(O.S.)*14
6206	1971-73	Mercury Cougar Top. Pre-drilled alignment holes.	6.0	25 1/4	9
PC6206	1971-73	Plastic Window for 6206 Top. Zipper, No bottom color trim.	8.0#		4
TN306	1971-73	Non-Original Glass Window with zipper for 6206 Top. (One Piece Glass.) Glass Heat-sealed into curtain.	9.0#		(O.S.)*16
CABLES 6206	1971-73	Side Cables for 1971-73 Cougar, (pr).			1

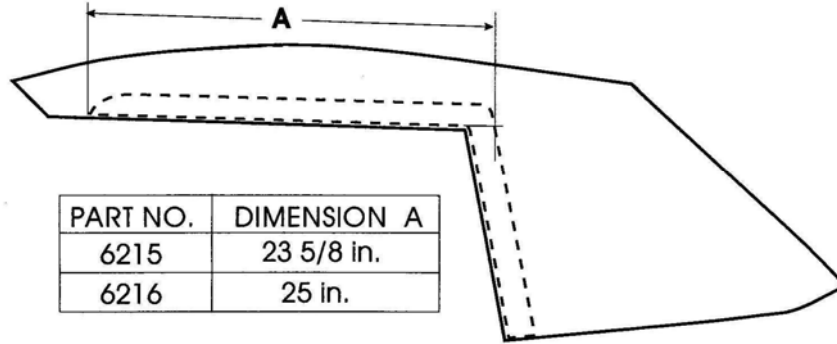
Original Topping-6202, 6203, 6204, 6205, 6206: Black/Black, Ford Blue/Black, Ford White/Black (and other discontinued colors) Pinpoint Grain Double Texture Vinyl.



MERCURY (Continued)

Install Hours Bow Height Ship Wt. Lbs.

CAPRI



6215** **1990-93** **Mercury Capri, Ford Capri (Australia) Top.** See Diagram below. Check that "A" measurement is 23 5/8" before ordering Top. 6215 fits Capri with manufacturing dates through June, 1992. 1 Plastic Window. 6.0 9

6216** **1993-94** **Mercury Capri, Ford Capri (Australia) Top.** See Diagram below. Check that "A" measurement is 25" before ordering Top. 6216 fits Capri with manufacturing dates from July, 1992-94. 1 Plastic Window. 6.0 9

6215 and 6216 Tops made as original with no binding, embossed heat-sealed quarters, and embossed heat-seal around plastic window. Tops made with black original style plastic belt molding reinforcement and weatherseals. 1 Plastic Window.

CABLES 6215 **1990-93** Side Tension Cables for 6215 Top (pr).

CABLES 6216 **1993-94** Side Tension Cables for 6216 Top (pr).

CABLES 621 **1990-94** Quarter Flap Cables for 6215 and 6216 Tops (pr).

Original Topping for 6215 and 6216: Initial production began using Haartz Double Texture Vinyl, Black/Black. Ford of Australia changed to German Vinyl, first briefly to (VW) Cabrio Grain, and then to Escort Grain Vinyl; in Black/Black, White/Black and colors until production ceased in May 1994.

NASH

Install Hours Bow Height Ship Wt. Lbs.

2500 **1954-58** **Nash Metropolitan Top, 1 Plastic Window.** 4.5 7

2501 **1959-60** **Nash Metropolitan Top, 3 Plastic Windows.** 4.5 7

NOTE: 2500 and 2501 are interchangeable.

Original Topping for 2500, 2501: Black/Black 100% Cotton Cloth; (GM) White Double Texture Vinyl.



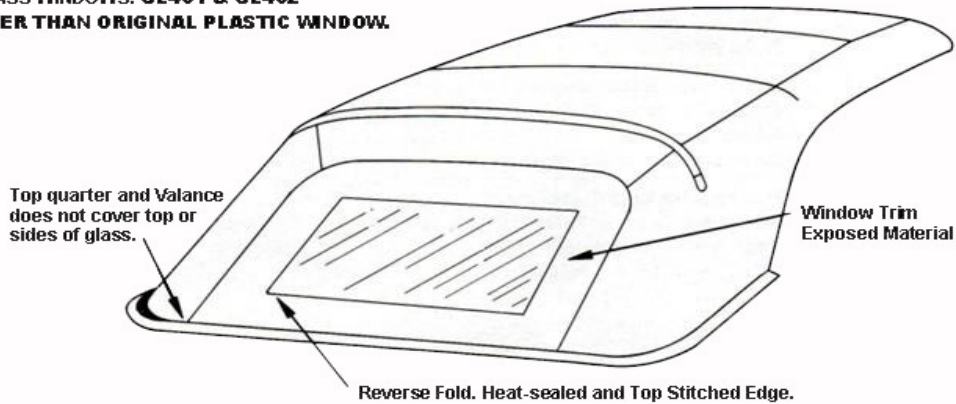
OLDSMOBILE			Install Hours	Bow Height	Ship Wt. Lbs.
------------	--	--	---------------	------------	---------------

FULLSIZE 1955-70

7505	1959-60	Olds 88 and 98 Top.	6.0	23	9
PC7505	1959-60	Plastic Window for 7505 Top. Zipper, No bottom color trim.	8.0#		5
7506	1961-64	Olds 88 and 98 Top. Pre-drilled alignment holes.	6.0	25	9
PC7506	1961-64	Plastic Window for 7506 Top. Zipper, No bottom color trim.	8.0#		4
GL402	1961-64	Non-Original Clear Glass Window with zipper for 7505 and 7506 Tops. Glass Heat-sealed into topping.	9.5#		(O.S.)*16

NOTICE: Glass smaller than original Plastic Window and has exposed color trim on all sides, **See diagram.**
GL402 must be unzipped before lowering top. Trimmer may have to build a deeper well to accommodate Glass.

NON-ORIGINAL GLASS WINDOWS: **GL401 & GL402**
GLASS IS SMALLER THAN ORIGINAL PLASTIC WINDOW.



7507	1965-70	Olds Delta 88, Starfire Top. Pre-drilled alignment holes.	6.0	27 1/2	9
7608	1969-70	Olds 98 Top.			
PC7507	1965-70	Plastic Window for 7507, 7608 Tops. Zipper, No bottom color trim.	8.0#		5
TN465	1965-66	Glass Window with Zipper for 7507, 7608 Tops. Glass Heat-sealed into curtain. Will fit thru 1970.	9.0#		(O.S.)*19
TN467	1967-70	Glass Window No Zipper for 7507, 7608 Tops. Glass Heat-sealed into curtain. Will retrofit to 1965.	9.0#		(O.S.)*19

NOTE: Original application years are listed, however, TN465 and TN467 are interchangeable.

PADS 6572	1965-72	Original Style Tapered Top Pads for 65-72 GM *Fullsize and Midsize Tops (*Except 7509, Corvette, Camaro, Corvair).	2.0		4
CABLES 7507	1965-70	Side Tension Cables for 7507 Top (pr).			1
CABLES 7607	1965-70	Side Tension Cables for 7608 Top (pr).			1

Original Topping for 7505, 7506, 7507, 7608: Black/Black, GM White/Black (and other discontinued colors) Double Texture Vinyl. Some of these discontinued GM colors we offer in Single Texture Vinyl: Buckskin, Dark Tan, Tan.

#HOURS LISTED ARE FOR INSTALLATION OF TOP AND WINDOW OR HEADLINER *O.S.=OVERSIZE OR DIM. WEIGHT APPLIES

©2008 ROBBINS AUTO TOP CO., INC., OXNARD, CALIFORNIA, USA. TEL (877) 404-3200 FAX (805) 604-3201 WWW.ROBBINSAUTOTOP.COM



OLDSMOBILE (Continued)

Install Hours Bow Height Ship Wt. Lbs.

FULLSIZE 1971-76

7509	1971-76	Delta 88 Royale, 98 "Scissor Top". Made with original style Talon brass half zipper to zip into glass or Plastic Windows. Pre-drilled alignment holes.	8.0		9
TN409	1971-76	Non-Heated Glass Window for 7509 Top. Original Talon 1/2 Brass Zipper. Glass Heat-sealed into curtain.	12.0#		(O.S.)*20
HD409	1971-76	Heated Glass for 7509 Top. Original Talon 1/2 Brass Zipper. Glass Heat-sealed into curtain.	12.0#		(O.S.)*20
CAUTION: Must Reuse old Link Arms and Brackets with TN409 and HD409. Failure to properly install these parts will cause the glass to break.					
PC7509	1971-76	Plastic Window for 7509 Top. Bottom color trim. Original Talon 1/2 Brass Zipper.	11.0#		7
CABLES 71	1971	Original Short Style left and right Side Cables, 1971 GM Scissor Top Models (pr).			1
CABLES 7509	1972-76	Original Style left and right side Cables. For 72-76 GM Scissor Top Models (pr).			1
WELL BLACK 7509	1971-76	Original Style Well Liner for 71-76 GM Fullsize convertibles.	1.5		3

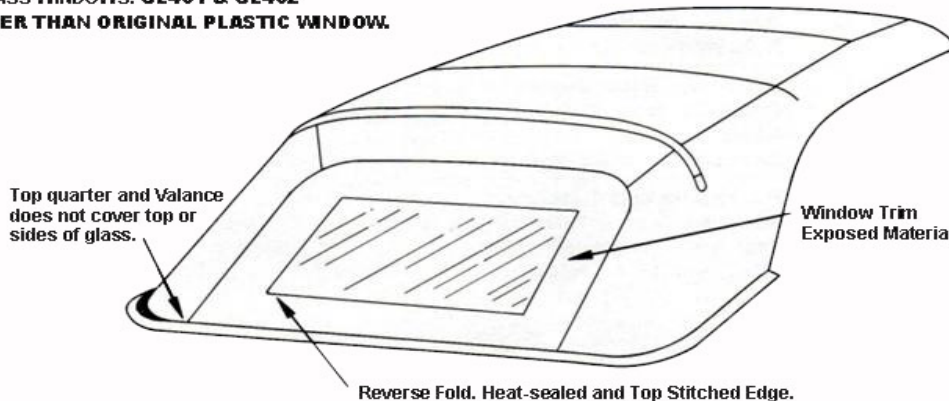
NOTE: Due to declining demand we have discontinued Arms, Brackets, Guides and Bushings for 71-76 GM (scissor) top.
Original Topping for 7509: Black/Black, GM White/Black (and discontinued colors) Pinpoint Grain Double Texture Vinyl.

MIDSIZE 1962-72

7301	1962-63	Olds F85, Cutlass Top.	6.0	21 3/4	9
PC7301	1962-63	Plastic Window for 7301 Top. Zipper, No bottom color trim.	8.0#		4
7302	1964-65	Olds F85, Cutlass Top.	6.0	20 1/2	9
PC7302	1964-65	Plastic Window for 7302 Top. Zipper, No bottom color trim.	8.0#		4
7303	1966-67	Olds F85, Cutlass, 442 Top.	6.0	22	9
PC7303	1966-67	Plastic Window for 7303 Top. Zipper, No bottom color trim.	8.0#		4
GL401	1962-67	Non-Original Glass Window with zipper for 7301, 7302 and 7303 Tops. Glass Heat-sealed into topping.	9.5#		(O.S.)*16

NOTICE: Glass smaller than original Plastic Window and has exposed color trim on all sides, **See diagram.**
 GL401 must be unzipped before lowering top. Trimmer may have to build a deeper well to accommodate Glass.

NON-ORIGINAL GLASS WINDOWS: GL401 & GL402
GLASS IS SMALLER THAN ORIGINAL PLASTIC WINDOW.



Continued Next Page...

#HOURS LISTED ARE FOR INSTALLATION OF TOP AND WINDOW OR HEADLINER *O.S.=OVERSIZE OR DIM. WEIGHT APPLIES

©2008 ROBBINS AUTO TOP CO., INC., OXNARD, CALIFORNIA, USA. TEL (877) 404-3200 FAX (805) 604-3201 WWW.ROBBINSAUTOTOP.COM



ROBBINS 2008 PRODUCT CATALOG (PDF)

<i>OLDSMOBILE (Continued)</i>			Install Hours	Bow Height	Ship Wt. Lbs.
PADS 6572	1965-72	Original Style Tapered Top Pads for 65-72 GM *Fullsize and Midsize Tops (*Except 7509, Corvette, Camaro, Corvair).	2.0		5
CABLES 7303	1966-67	Side Tension Cables for 7303 Top (pr).			1
7304	1968-72	Olds F85, Cutlass, 442 Top. Pre-drilled alignment holes. (Fixed Rear Bow).	6.0	20 3/4	9
7304A	1968-72	7304 Top Modified to fit very rare (Canadian?) models with Floating Rear Bow. Pre-drilled alignment holes.	6.0	20 3/4	9
PC7304	1968-72	Plastic Window for 7304, 7304A Top. No Zipper, No bottom color trim.	8.0#		4
TN404	1968-72	Glass Window for 7304, 7304A Top. No Zipper as original. Heat-sealed.	9.0#		(O.S.)*16
WELL BLACK 7304	1968-72	Well Liner for 7304 and 7304A Tops.	1.5		4
PADS 6572	1965-72	Original Style Tapered Top Pads for 65-72 GM *Fullsize and Midsize Tops (*Except 7509, Corvette, Camaro, Corvair).	2.0		4
CABLES 7304	1968-72	Side Tension Cables for 7304 and 7304A Tops (pr).			1

Original Topping for 7301, 7302, 7303, 7304: Black/Black, GM White/Black (and other discontinued colors) Double Texture Vinyl. Some of these discontinued GM colors we offer in Single Texture Vinyl: Buckskin, Dark Tan, Tan.

CIERA, H&E

7315	1984-86	Olds Ciera Top. Look for Hess & Eisenhardt nameplate on Driver's door or trunk lid. Glass Window not available. Headliner not supplied.	6.0	18 1/2	10
PC7315	1984-86	Plastic Window for 7315 Top	8.0#		5

Original Topping for 7315: Black/Black, White/Black and discontinued colors Pinpoint Grain Double Texture Vinyl.

CUTLASS, C&C

7305	1991-95	Olds Cutlass Supreme Top, Cars & Concepts. Look for nameplate on Driver's door. Pre-drilled alignment holes. Window and Headliner not offered.	6.0		9
-------------	----------------	---	-----	--	---

Original Topping for 7305: Black/Black and Bright White/Black Pinpoint Grain Double Texture Vinyl.

#HOURS LISTED ARE FOR INSTALLATION OF TOP AND WINDOW OR HEADLINER

*O.S.=OVERSIZE OR DIM. WEIGHT APPLIES

©2008 ROBBINS AUTO TOP CO., INC., OXNARD, CALIFORNIA, USA. TEL (877) 404-3200 FAX (805) 604-3201 WWW.ROBBINSAUTOTOP.COM



ROBBINS 2008 PRODUCT CATALOG (PDF)

<i>PLYMOUTH</i>			Install Hours	Bow Height	Ship Wt. Lbs.
5100	1963-64	Plymouth Valiant, Signet Top.	6.0	25 3/4	9
PC5100	1963-64	Plastic Window for 5100 Top. Zipper, No bottom color trim.	8.0#		5
5102	1965-66	Plymouth Valiant Top.	6.0	24 1/2	9
PC5102	1965-66	Plastic Window for 5102 Top. Zipper, No bottom color trim.	8.0#		5
5506	1965-66	Plymouth Fury Top.	6.0	27 1/2	10
PC5506	1965-66	Plastic Window for 5506 Top. Zipper, No bottom color trim.	8.0#		5
5507	1966	Plymouth Belvedere, Satellite Top.	6.0	27	10
PC5507	1966	Plastic Window for 5507 Top. Zipper, No bottom color trim.	8.0#		5
5508	1967-68	Plymouth Fury Top.	6.0	29 1/2	10
PC5508	1967-68	Plastic Window for 5508 Top. Zipper, No bottom color trim.	8.0#		5
TN151	1967-68	Tinted Glass Window for 5508 Top.	9.0#		(O.S.)*19
5509	1967-70	Plymouth Belvedere, GTX, Satellite, Roadrunner Top	6.0	23 1/4	10
PC5509	1967-70	Plastic Window for 5509 Top. Zipper, bottom color trim.	8.0#		5
TN152	1967-70	Glass Window for 5509 Top. TN152: Zipper, Glass Heat-sealed into topping.	9.0#		(O.S.)*17
5301	1967-69	Plymouth Barracuda Top.	6.0	26 1/4	10
PC5301	1967-69	Non-Original Plastic Window for 5301 Top. Zipper, No bottom color trim.	8.0#		5
TN131	1967-69	Glass Window for 5301 Top. (Smaller than original glass).	9.0#		(O.S.)*16
5302	1970-71	Plymouth Barracuda Top.	6.0	22 1/2	10
PC5302	1970-71	Plastic Window for 5302 Top. Zipper, bottom color trim.	8.0#		5
TN132	1970-71	Glass Window for 5302 Top. TN132: Zipper. Glass Heat-sealed into topping.	9.0#		(O.S.)*16

Original Topping for 5100, 5101, 5301, 5302, 5508, 5509. 1967-Black, White, and colors, Pinpoint Grain Double Texture Vinyl. 1968-71 Black, White (and other discontinued colors), Chrysler Crush Grain Double Texture Vinyl.

5510	1969-70	Plymouth Fury Top.	6.0	33 1/4	10
PC5510	1969-70	Plastic Window for 5510 Top. Zipper, bottom color trim.	8.0#		5
TN153	1969-70	Glass Window for 5510 Top. Zipper. Glass Heat-sealed into topping.	8.0#		(O.S.)*16

Original Topping for 5510: 1967-Black, White, and colors, Pinpoint Grain Double Texture Vinyl.

<i>PONTIAC</i>			Install Hours	Bow Height	Ship Wt. Lbs.
<i>FULLSIZE 1955-70</i>					
7502	1955-57	Pontiac Bonneville, Starchief Top. Pre-drilled alignment holes.	6.0	20 1/2	9
PC7502	1955-57	Plastic Window for 7502 Top. Orig. style horseshoe zipper, No bottom color trim.	8.0#		6
7504	1958	Pontiac Bonneville, Chieftain Top. Pre-drilled alignment holes.	6.0	23	9
PC7504	1958	Plastic Window for 7504 Top. Orig. style horseshoe zipper, No bottom color trim.	8.0#		5
7505	1959-60	Pontiac Bonneville, Catalina Top.	6.0	23	9
PC7505	1959-60	Plastic Window for 7505 Top. Zipper, No bottom color trim.	8.0#		5
7506	1961-64	Pontiac Bonneville, Catalina Top. Pre-drilled alignment holes.	6.0	25	9
PC7506	1961-64	Plastic Window for 7506 Top. Zipper, No bottom color trim.	8.0#		4
GL402	1961-64	Non-Original Glass Window with zipper for 7505 and 7506 Tops. Glass Heat-sealed into topping.	9.5#		(O.S.)*16

NOTICE: Glass smaller than original Plastic Window and has exposed color trim on all sides, **See following diagram.**

GL402 must be unzipped before lowering top. Trimmer may have to build a deeper well to accommodate Glass.

#HOURS LISTED ARE FOR INSTALLATION OF TOP AND WINDOW OR HEADLINER

*O.S.=OVERSIZE OR DIM. WEIGHT APPLIES

©2008 ROBBINS AUTO TOP CO., INC., OXNARD, CALIFORNIA, USA. TEL (877) 404-3200 FAX (805) 604-3201 WWW.ROBBINSAUTOTOP.COM

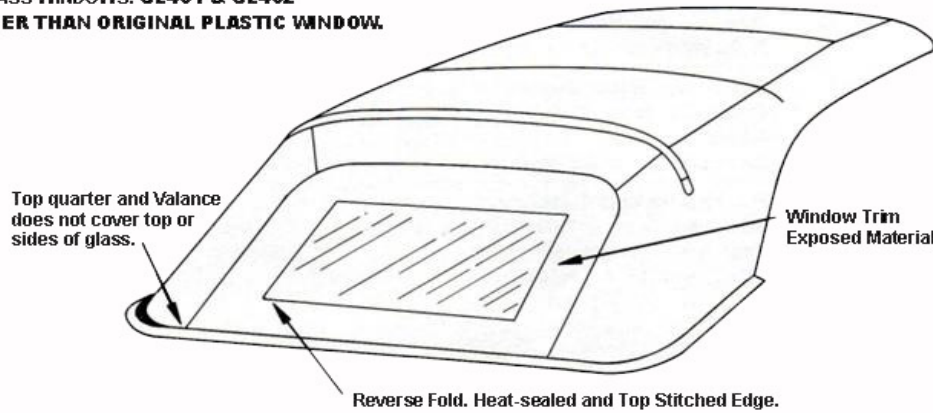


PONTIAC (Continued)

Install Hours	Bow Height	Ship Wt. Lbs.
---------------	------------	---------------

GL401, GL402

**NON-ORIGINAL GLASS WINDOWS: GL401 & GL402
GLASS IS SMALLER THAN ORIGINAL PLASTIC WINDOW.**



7507	1965-70	Pontiac Bonneville, Catalina, Grand Prix, Parisienne Top. Pre-drilled alignment holes.	6.0	27 1/2	9
PC7507	1965-70	Plastic Window for 7507 Top. Zipper, No bottom color trim.	8.0#		5
TN465	1965-70	Tinted Glass with Zipper for 7507 Top. Glass Heat-sealed into curtain.	9.0#		(O.S.)*19
TN467	1965-70	Tinted Glass, No Zipper for 7507 Top. Glass Heat-sealed into curtain.	9.0#		(O.S.)*19

FULLSIZE 1965-76

PADS 6572	1965-72	Orig. Style Tapered Top Pads for 65-72 GM *Fullsize and Midsize Tops (*Except 7509, Corvette, Camaro, Corvair).	2.0		4
CABLES 7507	1965-70	Side Tension Cables for 7507 Top (pr).			1

Original Topping for 7502, 7504, 7505, 7506, 7507: Black/Black, GM White/Black (and other discontinued colors)

Pinpoint Vinyl. Some of these discontinued GM colors we offer in Single Texture Vinyl: Buckskin, Dark Tan, Tan.

7509	1971-76	Pontiac Catalina, Grandville Brougham "Scissor Top". Made with original style Talon brass 1/2 zipper to zip top to window curtain. Pre-drilled alignment holes.	8.0		9
TN409	1971-76	Non-Heated Glass Window for 7509 Top. Original Talon 1/2 Brass Zipper. Glass Heat-sealed into curtain.	12.0#		(O.S.)*20
HD409	1971-76	Heated Glass for 7509 Top. Original Talon 1/2 Brass Zipper. Glass Heat-sealed into curtain.	12.0#		(O.S.)*20

CAUTION: Must Reuse old Link Arms and Brackets with TN409 and HD409. Failure to properly install these parts will cause the glass to break.

PC7509	1971-76	Plastic Window for 7509 Top. Bottom color trim. Original Talon 1/2 Brass Zipper.	11.0#		7
CABLES 71	1971	Original Short Style Side Tension Cables, 1971 GM Scissor Top Models (pr)			1
CABLES 7509	1972-76	Original Style Side Tension Cables. For 72-76 GM Scissor Top Models (pr).			1
WELL BLACK 7509	1971-76	Original Style Well Liner for 71-76 GM Fullsize convertibles.	1.5		3

NOTE: Due to declining demand we have discontinued Arms, Brackets, Guides and Bushings for 71-76 GM (scissor) top.

Original Topping for 7509: Black/Black, GM White/Black (and discontinued colors) Pinpoint Grain Double Texture Vinyl.



ROBBINS 2008 PRODUCT CATALOG (PDF)

PONTIAC (Continued)

MIDSIZE

			Install Hours	Bow Height	Ship Wt. Lbs.
7301	1962-63	Pontiac LeMans, Tempest Top.	6.0	21 3/4	9
PC7301	1962-63	Plastic Window for 7301 Top. Zipper, No bottom color trim.	8.0#		4
7302	1964-65	Pontiac LeMans, Tempest, GTO Top.	6.0	20 1/2	9
PC7302	1964-65	Plastic Window for 7302 Top. Zipper, No bottom color trim.	8.0#		4
7303	1966-67	Pontiac LeMans, Tempest, GTO Top.	6.0	22	9
PC7303	1966-67	Plastic Window for 7303 Top. Zipper, No bottom color trim.	8.0#		4
GL401	1966-67	Non-Original Clear Glass Window with zipper for 7301, 7302, 7303 Tops. Glass Heat-sealed into topping.	9.5#		(O.S.)*16
NOTICE: Glass smaller than original Plastic Window and has exposed color trim on all sides, See diagram on previous page. GL401 must be unzipped before lowering top. Trimmer may have to build a deeper well to accommodate Glass.					
PADS 6572	1966-72	Original Style Tapered Top Pads for 65-72 GM *Fullsize and Midsize Tops (*Except 7509, Corvette, Camaro, Corvair).	2.0		4
CABLES 7303	1966-67	Side Tension Cables for 7303 Top (pr).			1
7304	1968-72	Pontiac LeMans, Tempest, GTO Top (Fixed RR Bow). Pre-drilled alignment holes. (Rear Bow Fixed at 20 3/4")	6.0	20 3/4	9
7304A	1968-72	7304 Top Modified to fit Very Rare (Canadian?) Models with Floating Rear Bow.	6.0	20 3/4	9
PC7304	1968-72	Plastic Window for 7304, 7304A Top. No Zipper, No bottom color trim.	8.0#		4
TN404	1968-72	Glass Window for 7304, 7304A Top. No Zipper as original. Glass Heat-sealed into Curtain.	9.0#		(O.S.)*16
WELL BLACK 7304	1968-72	Well Liner for 7304 and 7304A Tops.	1.5		4
PADS 6572	1965-72	Orig. Style Tapered Top Pads for 65-72 GM *Fullsize and Midsize Tops (*Except 7509, Corvette, Camaro, Corvair).	2.0		4
CABLES 7304	1968-72	Side Tension Cables for 7304 and 7304A Tops (pr).			1
<i>Original Topping for 7301, 7302, 7303, 7304: Black/Black, GM White/Black (and other discontinued colors) Pinpoint Vinyl. Some of these discontinued GM colors we offer in Single Texture Vinyl: Buckskin, Dark Tan, Tan.</i>					

FIREBIRD

7201	1967-70	Pontiac Firebird Top, for use with Plastic Window.	6.0	22 1/2	9
PC7201	1967-70	Plastic Window for 7201 Top. No Zipper, No bottom color trim.	8.0#		4
PC7201Z	1967-70	Plastic Window for 7201 Top. With Zipper, No bottom color trim.	8.0#		4
7202	1967-70	Pontiac Firebird Top, for use with GL304 Folding Glass Window.	6.0	22 1/2	9
GL304*	1967-70	Non-Original Clear Folding Glass Window with zipper for 7202 Top. Featuring Robbins Flex-Hinge®, U.S. Patent 4,799,727. CAUTION: Must use WELL BLACK 7202 (below) with GL304 Glass Window, or glass or hinge may break.	9.0#		(O.S.)*14
WELL BLACK 7202	1967-70	Deep Well to accommodate Non-Original GL304 folding Glass Window.	1.5		3
CABLES 7201	1967-70	Firebird Side Tension Cables (pr).			1

Original Topping 7201, 7202: Black/Black, GM White/Black (and other discontinued colors) Pinpoint Grain Double Texture Vinyl.

#HOURS LISTED ARE FOR INSTALLATION OF TOP AND WINDOW OR HEADLINER

*O.S.=OVERSIZE OR DIM. WEIGHT APPLIES

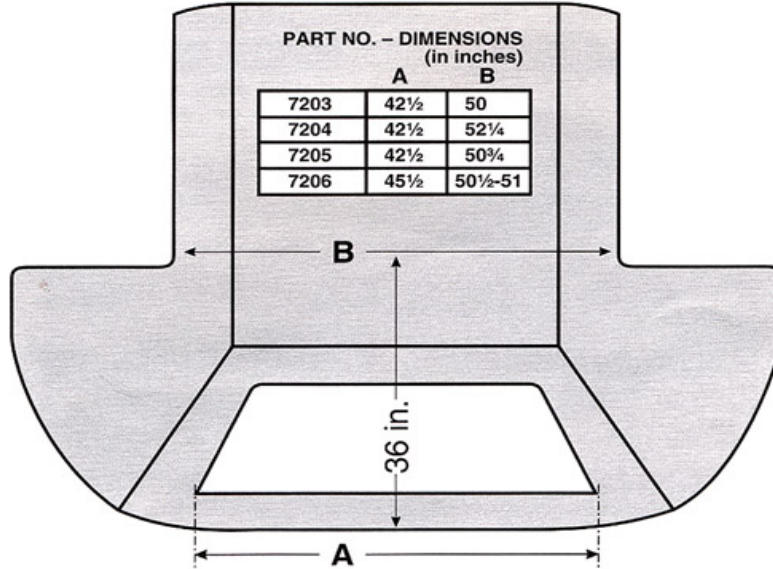
©2008 ROBBINS AUTO TOP CO., INC., OXNARD, CALIFORNIA, USA. TEL (877) 404-3200 FAX (805) 604-3201 WWW.ROBBINSAUTOTOP.COM



PONTIAC (Continued)

Install Hours Bow Height Ship Wt. Lbs.

FIREBIRD 1987-93



7203**	1987-88	Pontiac Firebird, Top. A.S.C. (**Order by Measurement. See Diagram)	6.0	9
7204**	1988-91	Pontiac Firebird, Top. A.S.C. (**Order by Measurement. See Diagram)	6.0	9
7205**	1990-92	Pontiac Firebird, Top. A.S.C. (**Order by Measurement. See Diagram)	6.0	9
7206**	1990-93	Pontiac Firebird, Top. A.S.C. (**Order by Measurement. See Diagram)	6.0	9
972L	1993	Pontiac Firebird, Original style two piece headliner, with extrusions.	8.0#	5
CABLES 720	1987-93	Pontiac Firebird Side Tension Cables (pr).		1

DISCLAIMER: A.S.C. and General Motors made many changes to the Firebird convertible top and top frame. Some tops have elastic straps at the rear quarters, and others do not. The rear bow position was changed several times so we cannot guarantee that the rear seam in our top will line up over the rear bow of Firebird convertibles. No records are available to us as to when these changes were made. Top frame design problems can cause premature wear, cuts and holes in the rear quarters; and the lower rail can cut the topstitch at rear quarters. Robbins cannot be held responsible for damage to our products caused by the problems described above.

Original Topping for 7203, 7204, 7205, and 7206: 1987-89 Firebird: Black/Black Pinpoint Grain Double Texture Vinyl. Black Haartz Stayfast Cloth with Black backing. 1990-93 Firebird Black/Black Stayfast Cloth.



ROBBINS 2008 PRODUCT CATALOG (PDF)

PONTIAC (Continued)

Install Hours	Bow Height	Ship Wt. Lbs.
---------------	------------	---------------

FIREBIRD (Continued)

7210	1994-02	Pontiac Firebird Top, A.S.C., No seam at rear bow. For 1994 models request rear tack strip. Pre-drilled alignment holes.	7.0	23 1/4	7
HD720	1994-02	Tinted Htr/Def Glass for 7210 Top. Made with original style extrusion into which stiffener rod from old glass should be inserted. No Zipper. Glass Heat-sealed into topping as original.	10.0#		(O.S.)*13
973L	1994-02	Pontiac Firebird Headliner. Made with original style extrusions. (HL VLB).	10.0#		4
CABLES 7210	1994-02	23" Overall Length, Side Cables for 7210 Top. (Order CABLES 7210A for 29" OAL.)			1
CABLES 7210A	1994-02	29" Overall Length, Side Cables for 7210 Top. (Order CABLES 7210 for 23" OAL.)			1

DISCLAIMER: A.S.C. and General Motors have modified the 1994-2001 Firebird Top and Glass Window to eliminate damage to tops and broken glass windows caused by problems in the top frame design. Robbins cannot be held responsible for cuts, holes, broken glass, etc., caused by the manufacturer's design of the top or top frame.

Original Topping for 7210: Black and Dark Beige and discontinued colors Haartz Stayfast Cloth with Black backing. Bright White/Black Standard Grain Double Texture Vinyl.

FIREFLY (CANADA)

7330	1990-93	Pontiac Firefly Top (Canada). Made as original with 3 plastic extrusions. Pre-drilled alignment holes. 1 Plastic Window.	6.0		10
CABLES 7330	1990-93	Side Cables for 7330 Top, pair.	1.0		1

Original topping for 7330: Black/Black, Black/ Gray Japanese Single Texture Vinyl (Similar to KV Grain Vinyl)

SUNBIRD / SUNFIRE

7310	1983-87	Pontiac Sunbird Top, A.S.C. Pre-drilled alignment holes.	6.0	21 1/2	9
PC7310*	1983-87	Plastic Window for 7310 Top, with zipper and bottom color trim.	8.0#		4
CABLES 7310	1983-87	Pontiac Sunbird, main Side Tension Cables (pr)			1
CABLES 731 REAR	1983-87	Pontiac Sunbird, rear quarter flap cables (pr).			1
7311	1988-91*	Pontiac Sunbird Top. Open Header, Wire-On, Plastic Window with no bottom color trim (No glass Window). *Some 1991 style Sunfires were produced in early 1992. These convertibles were originally equipped with a standard tack trip at the rear bow. Check for header and window type, and wire-on before ordering.	6.0	26 1/4	9
PC7311	1988-92	Plastic Window for 7311 Top. No exposed color trim. Order KV BKB to match all top colors.	8.0#		4
CABLES 7311	1988-91	Pontiac Sunbird, main side tension cables (pr).			1
CABLES 731 REAR	1983-87	Pontiac Sunbird, rear quarter flap cables (pr).			1
7312	1992-93*	Pontiac Sunbird Top, A.S.C. Open Header, No Wire-On. Fits early 92 until 7313 production began in early 93, with Glass Window as Original Equipment. Rear bow must be modified to make 7312 fit models built before March 92. No binding across front, uses header strip. Check header, window type, and wire-on before ordering.	7.0	27	10
7313	1993½ -94	Pontiac Sunbird Top. Header Bow Pocket with Binding around edge. White tops made with black binding over door glass and at front header bow, as original. Check for header and window type, and wire-on before ordering.	6.0	27	9

Continued Next Page...

#HOURS LISTED ARE FOR INSTALLATION OF TOP AND WINDOW OR HEADLINER

*O.S.=OVERSIZE OR DIM. WEIGHT APPLIES

©2008 ROBBINS AUTO TOP CO., INC., OXNARD, CALIFORNIA, USA. TEL (877) 404-3200 FAX (805) 604-3201 WWW.ROBBINSAUTOTOP.COM



ROBBINS 2008 PRODUCT CATALOG (PDF)

<i>PONTIAC (Continued)</i>			Install Hours	Bow Height	Ship Wt. Lbs.
<i>SUNBIRD / SUNFIRE (Continued)</i>					
TN412	1992-94	Tinted Glass Window for 7312 and 7313 Top.	9.0#		(O.S.)*14
HD412	1992-94	Heater/Defroster Glass for 7312 and 7313 Top.	9.5#		(O.S.)*14
PC7312	1992-94	Non-Original Plastic Window for 7312, 7313 Top. Bottom color trim. No Zipper. Has original style extrusion with metal stiffener rod to fit into rear bow.	8.0#		5
CABLES 7312	1992-94	Pontiac Sunbird Side Tension Cables (pr).			1
CABLES 731 REAR	1983-87	Pontiac Sunbird Side Rear Flap Cables (pr).			1
<p><i>Original Toppings for 7310 1983-85: Black (and other discontinued colors) Pinpoint Grain Double Texture Vinyl.</i> <i>7310, 7311, 7312 1986-93:Black (and other discontinued colors) Pinpoint Grain Double Texture Vinyl.</i> <i>7313 1994 Black/Black Sunbird White/Black EV Single Texture Vinyl with black polyester/cotton backing.</i></p>					
7316	1995-98	Pontiac Sunfire Top, With Deck Seams. White Tops made with black binding over door glass. Pre-drilled alignment holes.	6.0	27 1/2	8
7317	98½-00	Pontiac Sunfire Top. No deck seams. White Tops made with black binding over door glass. Made with Partitioned Cable Sleeve, U.S. Patent 6,022,064. Pre-drilled alignment holes.	6.0		7
TN416	1995-00	Non-Heated Glass Window for 7316, 7317 Tops. Glass Heat-sealed into curtain.	9.0#		(O.S.)*16
HD416	1995-00	Heater/Defroster Glass for 7316, 7317 Tops. Glass Heat-sealed into curtain. Made with extrusion and stiffener rod to fit into rear bow. No Zipper as original.	9.0#		(O.S.)*16
PC7316	1995-00	Non-Original Plastic Window for 7316, 7317 Tops. No Zipper, bottom color trim.	8.0#		6
974L	1896-97	Pontiac Sunfire Headliner. Made with original style extrusions. (HL VLB).	9.0#		4
CABLES 7316	1995-98	Pontiac Sunfire Side Tension Cables (pr).			1
CABLES 7317	1999-00	Pontiac Sunfire Side Tension Cables (pr).			1

CAUTION: Technical Bulletins 63-10-49 and 63-15-15 have been issued by GM describing problems with Top frames in 1995-00 Sunbird models. There have also been reports of rear seat backrest being bent out of shape which can cause the Headliner and Top to snag when the Top and Glass Window are lowered, causing listings to fail and cuts and holes to develop in the Top. Robbins cannot be held responsible for damage to our products by the causes described above.

Original Toppings for 7316: Black, Bright White, Neutral Pinpoint Grain EV Single Texture Vinyl with Black Polyester/Cotton backing.

TOPPING ABBREVIATION KEY

TOPPING TYPES AND RANGES

BS BKG - BS WHG
CG BKB - CG WHB
CH BKB - CH WHB
CM BKB - CM WHW
ES BKB - ES SWB
EV BKB - EV WHB
HV BKB - HV WHG
JD BKD
JP BKD
KV BKB - KV WHB
RC BKB - RC WHB
RS BKB
SS BKG - SS WHG
TY BKB
A5 BKB - A5 OGB
A5S BKB - A5S SGB
GN BKB - GN BRB
GR BKB - GR TAT
LM BKB - LM SLG
LV BKB
SF BKB - SF TAT
ST BGB - ST TAT
SG BKB - SG TAT
TW BKB - TW TAT

DESCRIPTION

British Everflex Vinyl
Bison Crush Grain Vinyl
Early Chrysler Crush Grain Vinyl
Cami Vinyl for Suzuki Tops
Eurotopping Sail Cloth Vinyl
Eurotopping KV Grain Vinyl
Haartz Twill Grain Vinyl for Honda S-2000
Denim Grain Jeep Topping
Crush Grain Jeep Topping
Haartz Karavan Pinpoint Grain Vinyl
Robbins Cabrio Grain Vinyl
Robbins Escort Grain Vinyl
Sail Cloth Single Texture Vinyl
Haartz Polo Grain Vinyl
Sonnenland A5 German Cloth, 100% Acrylic
Flame Singed Sonnenland A5 for Porsche Boxster
Sonnenland Plus German Cloth
Sonnenland Classic German Cloth
Haartz Twillfast JX Cloth
Levant Grain Vinyl
Robbins Sun-Fast Cloth
Haartz Stayfast Cloth
Robbins Sun-Fast "G" Cloth
Haartz Twillfast Cloth

HEADLINER AND MISC. MATERIALS

HL BLK
HL WHT
HL GRY
HL ESB
HL ESW
HL SEB
HL VLB
HL VLC
HL VLG
HL VWB
HL VWG
BOW GR BKB RUB
HL GNB, HL GNG, HL GNT

DESCRIPTION

Black Vinyl
White Vinyl
Gray Peugeot Vinyl
Black Escort Crater Grain Vinyl
White Escort Crater Grain Vinyl
Original Charcoal Headlining for 1996-on Sebring
Velour Black Cloth
Velour Charcoal Cloth
1989-93 Opel Kadett Gray Cloth
1994-02 VW Black Cloth
1994-02 VW Keisel (Gray/Tan) Cloth
Black German Style Bowdrill, Rubber Skim Coated
Black, Lt. Gray, Tan Mercedes 129 Headliner Cloth

Note: For specific color codes for each material, please refer to your Robbins Topping Sample Booklet.

Convertible / Original Cloth Topping Cross Reference

Robbins Part No.	Convertible Make, Model, Year	Cloth Type	Color No.	Exterior Color	Backing Color	Cloth Code
2081C, PC2081	Alfa Romeo 1995-On	Haartz Stayfast Cloth	848	Black	Black	ST BKB
3200C	Audi Cabriolet 1992-95	Sonnenland Classic German Cloth	9300002A	Black	Black Dobby	GR BKB
		Sonnenland Classic German Cloth	9300004A	Blue	Black Dobby	GR BLB
3200C	Audi Cabriolet 1996-98	Haartz Twillfast Cloth	1973	Black	Black Dobby	TW BKB
		Haartz Twillfast Cloth	1952	Blue	Black Dobby	TW BLB
3220C	Audi TT 1999-2005	Haartz Twillfast Cloth	1973	Black	Black Dobby	TW BKB
		Haartz Twillfast Cloth	1952	Blue	Black Dobby	TW BLB
		Haartz Twillfast Cloth	2534	Euro Green	Black Dobby	TW EUB
3221C	Audi TT 2006-On	Sonnenland A5 German Cloth	94581001A	Black	Black Dobby	A5 BKB
3201C	Audi A4 2003-On	Sonnenland A5 German Cloth	94581001A	Black	Black Dobby	A5 BKB
		Sonnenland A5 German Cloth	94536704A	Marine Blue	Black Dobby	A5 IDB*
		Sonnenland A5 German Cloth	94580704A	Jive	Black Dobby	N/A
		Sonnenland A5 German Cloth	94581204A	Bordeaux	Black Dobby	N/A
2710NC, 2710NR 2711NC, 2711NR	BMW E30, 3-Series 1987-92	Sonnenland Classic German Cloth	9300002A	Black	Black Dobby	GR BKB
		Sonnenland Classic German Cloth	9300004A	Blue	Black Dobby	GR BLB
		Sonnenland Classic German Cloth	9300009A	Brown	Black Dobby	GR BRB
2710NC, 2710NR 2711NC, 2711NR	BMW E30, 3-Series 1993	Haartz Twillfast Cloth	1973	Black	Black Dobby	TW BKB
		Haartz Twillfast Cloth	1952	Blue	Black Dobby	TW BLB
		Haartz Twillfast Cloth	1951	Brown	Black Dobby	TW BRB
2712C, 2713C	BMW E36, 3-Series 1994-1999	Haartz Twillfast Cloth	1973	Black	Black Dobby	TW BKB
		Haartz Twillfast Cloth	1980	Mauve Blue	Black Dobby	A5 MBB*
		Haartz Twillfast Cloth	1981	English Green	Black Dobby	TW GRB
2714C	BMW E46, 3-Series 2000-06	Haartz Twillfast Cloth	1973	Black	Black Dobby	TW BKB
		Haartz Twillfast Cloth	1952	Blue	Black Dobby	TW BLB
		Haartz Twillfast Cloth	2540	Deep Green	Black Dobby	TW DGB
2750C	BMW Z3 1996-02	Haartz Twillfast Cloth	1973	Black	Black Dobby	TW BKB
		Haartz Twillfast Cloth	2061	Dk. Beige	Black Dobby	TW BGB
		Haartz Twillfast Cloth	1980	Mauve Blue	Black Dobby	A5 MBB*
		Haartz Twillfast Cloth	1981	English Green	Black Dobby	TW GRB
2752C	BMW Z4 2003-On	Haartz Twillfast Cloth	1973	Black	Black Dobby	TW BKB
		Haartz Twillfast Cloth	2508	Beige	Black Dobby	TW BGB
		Haartz Twillfast Cloth	2509	Basalt Gray	Black Dobby	N/A
2760C	BMW Mini 2004-On	Haartz Twillfast Cloth	1973	Black	Black Dobby	TW BKB
		Haartz Twillfast Cloth	1980	Mauve Blue	Black Dobby	A5 MBB*
		Haartz Twillfast Cloth	2540	Deep Green	Black Dobby	TW DGB
7409R	Cadillac Allante 1987-91 1992-93	Sonnenland Classic German Cloth	9300002A	Black	Black Dobby	GR BKB
		Haartz Stayfast Cloth	848	Black	Black	ST BKB
7210C, HD720	Chev Camaro/Pont Firebird 1994-02 1994-1995 1996-2002	Haartz Stayfast Cloth	848	Black	Black	ST BKB
		Haartz Stayfast Cloth	2799	Tan	Black	ST TAB
		Haartz Stayfast Cloth	9648	Dk. Beige	Black	ST BGB
2056WS	Chevrolet Corvette 1986-93 1991-93 1991-93 1993	Haartz Stayfast Cloth	848	Black	Black	ST BKB
		Haartz Stayfast Cloth	2776	Blue	Black	ST BLB
		Haartz Stayfast Cloth	2799	Tan	Black	ST TAB
		Haartz Stayfast Cloth	2972	Dk. Ruby	Black	N/A
2057C	Chevrolet Corvette C4 1994-96 1994 1995-96	Haartz Stayfast Cloth	848	Black	Black	ST BKB
		Haartz Stayfast Cloth	2799	Tan	Black	ST TAB
		Haartz Stayfast Cloth	2024	Driftwood	Black	ST DRB
2058C	Chevrolet Corvette C5, 1998-2001 1998-01 1998-01 2002-04 2002-04 2002-04	Haartz Twillfast Cloth	1973	Black	Black Dobby	TW BKB
		Haartz Twillfast Cloth	2090	Lt. Oak	Black Dobby	TW LOB
		Haartz Twillfast Cloth	2497	Med. Neutral	Black Dobby	N/A
		Haartz Twillfast MC Cloth**	1973	Black	Black Dobby	TW BKB*
		Haartz Twillfast MC Cloth**	2090	Lt. Oak	Black Dobby	TW LOB*
		Haartz Twillfast MC Cloth**	2497	Med. Neutral	Black Dobby	N/A
2059C	Chevrolet Corvette C6 2005-On	Haartz Twillfast MC Cloth**	1973	Black	Black Dobby	TW BKB*
		Haartz Twillfast MC Cloth**	2905	Gray/Beige	Black Dobby	N/A
		Haartz Twillfast MC Cloth**	2359	Titan Grey	Black Dobby	N/A
5411C, 5412C	Chrysler Sebring 1996-06 1996-97 1997 1998-On 2002 2003-05 2003-06	Haartz Twillfast JX Cloth	1973	Black	Gray	LM BKG
		Haartz Twillfast JX Cloth	2083	Camel	Gray	LM CMG
		Haartz Twillfast JX Cloth	2448	Beige	Gray	LM BGG
		Haartz Twillfast JX Cloth	2034	Sandalwood	Gray	LM SLG
		Haartz Twillfast JX Cloth	2426	Bridgewater Blue	Gray	LM BLG
		Haartz Twillfast JX Cloth	2502	Seamist Green	Gray	LM GRG
		Haartz Twillfast JX Cloth	2504	Taupe	Gray	LM TPG
5420	Chrysler PT Cruiser 2004-On 2004-06 2005 2006	Haartz Twillfast Cloth	1973	Black	Black Dobby	TW BKB
		Haartz Twillfast Cloth	2504	Taupe	Black Dobby	LM TPG*
		Haartz Twillfast Cloth	2913	Maroon	Black Dobby	N/A
		Haartz Twillfast Cloth	2497	Pebble Beige	Black Dobby	N/A
6213C	Ford Mustang Cobra 2003-04	Haartz Twillfast RPC Cloth	1973	Black	Black Dobby	TW BKB
		Haartz Twillfast RPC Cloth	2034	Dk. Parchment	Black Dobby	LM SLG*
6220C	Ford Mustang Cobra/GT500 2006	Haartz Twillfast Cloth	1973	Black	Black Dobby	TW BKB
2514, HD514	Ford Thunderbird 2001-05 2004-05 2004-05 2004-05 2004-05 2004-05	Haartz Landmark Cloth	1782	Black	Black	ST BKB*
		Haartz Twillfast JU Cloth	2597	Merlot	Gray	N/A
		Haartz Twillfast JU Cloth	2090	Light Oak	Gray	TW LOB*
		Haartz Twillfast JU Cloth	2595	Lt. Ash	Gray	N/A
		Haartz Twillfast JU Cloth	2912	Md. Lt. Stone	Gray	N/A
		Haartz Twillfast JU Cloth	2599	Md. Steel Blue	Gray	N/A
2422R	Jaguar XJS 1989-95 1989-95 1989-95	Sonnenland Classic German Cloth	9300011A	Black	Tan Dobby	GR BKT
		Sonnenland Classic German Cloth	9300008A	Blue	Tan Dobby	GR BLT
		Sonnenland Classic German Cloth	9300010A	Brown	Tan Dobby	GR BRT

*Alternate material suggestion

N/A: Currently not available

Convertible / Original Cloth Topping Cross Reference

Robbins Part No.	Convertible Make, Model, Year	Cloth Type	Color No.	Exterior Color	Backing Color	Cloth Code
2423C	Jaguar XK8, XKR 1997-2001 1997-2001 1997-2001 1997-2001 1997-1998 1997-1998 2002-06 2002-06 2002-06 2002-06 2002-06 2002-06	Haartz Twillfast Cloth	1973	Black	Black Dobby	TW BKB
		Haartz Twillfast Cloth	2319	Dk. Jaguar Blue	Black Dobby	TW BLB*
		Haartz Twillfast Cloth	2014	Beige	Black Dobby	N/A
		Haartz Twillfast Cloth	2322	Racing Green	Black Dobby	TW EUB*
		Haartz Twillfast Cloth	2034	Sable	Black Dobby	LM SLG*
		Haartz Twillfast Cloth	2311	Stone	Black Dobby	N/A
		Sonnenland A5 German Cloth	94581001A	Black	Black Dobby	A5 BKB
		Sonnenland A5 German Cloth	94282300A	Beige	Black Dobby	A5 BEB
		Sonnenland A5 German Cloth	94283800A	Sandalwood	Black Dobby	N/A
		Sonnenland A5 German Cloth	9428300A	Indigo Blue	Black Dobby	A5 IDB
		Sonnenland A5 German Cloth	94282800A	Black Green	Black Dobby	A5 GRB
		Sonnenland A5 German Cloth	94582903A	Gray Beige	Black Dobby	N/A
2960C, 2961C	Mazda Miata 2003-05	Haartz Stayfast Cloth	848	Black	Black	ST BKB
		Haartz Stayfast Cloth	2776	Blue	Black	ST BLB
		Haartz Stayfast Cloth	9009	Gray	Black	ST GYB
		Haartz Stayfast Cloth	2514	Med. Neutral	Black	ST NTB
2964, 2965	Mazda Miata 2006-On	Haartz Stayfast Cloth	848	Black	Black	ST BKB
		Haartz Stayfast Cloth	2514	Med. Neutral	Black	ST NTB
2040NR, 2040R 2041NR, 2041R	Mercedes SL 1972-89	Sonnenland Classic German Cloth	93000011A	Black	Tan Dobby	GR BKT
		Sonnenland Classic German Cloth	93000008A	Blue	Tan Dobby	GR BLT
		Sonnenland Classic German Cloth	93000010A	Brown	Tan Dobby	GR BRT
2042R	Mercedes SL 1990-01 1999-2001 1999-2001	Sonnenland Plus German Cloth	93200071A	Black	Black Dobby	GN BKB
		Sonnenland Plus German Cloth	9300072A	Blue	Black Dobby	GN BLB
		Sonnenland Plus German Cloth	93200073A	Brown	Black Dobby	GN BRB
		Sonnenland Plus German Cloth	94584101A	Mineral Green	Black Dobby	A5 MGB
		Sonnenland Plus German Cloth	94583901A	Orion Gray	Black Dobby	A5 OGB
2043C	Mercedes CLK 1999-03	Sonnenland A5 German Cloth	94581001A	Black	Black Dobby	A5 BKB
		Sonnenland A5 German Cloth	94581601A	Mauve Blue	Black Dobby	A5 MBB
		Sonnenland A5 German Cloth	94583901A	Orion Gray	Black Dobby	A5 OGB
		Sonnenland A5 German Cloth	94584101A	Mineral Green	Black Dobby	A5 MGB
2045C	Mercedes CLK 2004-On	Sonnenland A5 German Cloth	94581001A	Black	Black Dobby	A5 BKB
		Sonnenland A5 German Cloth	94581404A	Ink Blue	Black Dobby	N/A
		Sonnenland A5 German Cloth	94581504A	Alpaca Gray	Black Dobby	N/A
2475C	Mitsubishi Eclipse 1996-99	ToplineT3000 Cloth	1878	Black	Black	SF BKB
		ToplineT3000 Cloth	1944	Tan	Black	SF TAB
2476C	Mitsubishi Eclipse 2000-05 2000-05 2003-04 2004-05 2004-05	ToplineT3000 Cloth	1878	Black	Black	SF BKB
		ToplineT3000 Cloth	1944	Tan	Black	SF TAB
		ToplineT3000 Cloth	2506	Taupe	Black	SF TPB
		Haartz Stayfast Cloth	2510	Taupe	Black	N/A
		Haartz Stayfast Cloth	2776	Blue	Black	ST BLB
2477C	Mitsubishi Eclipse 2006-On	ToplineT3000 Cloth	1878	Black	Black	SF BKB
		ToplineT3000 Cloth	2931	Medium Gray	Black	SF MGB
		Haartz Stayfast Cloth	2510	Taupe	Black	SF TPB*
2130C	Nissan 240SX 1992-94	Haartz Stayfast Cloth	848	Black	Black	ST BKB
2140C	Nissan 300ZX 1993-96	Haartz Stayfast Cloth	848	Black	Black	ST BKB
2010R	Porsche 911, 1986-94	Sonnenland Classic German Cloth	9300002A	Black	Black Dobby	GR BKB
3161, 3162	Porsche Boxster 1997-2002	Sonnenland Classic German Cloth	9300004A	Blue	Black Dobby	GR BLB
		Sonnenland Classic German Cloth	9300009A	Brown	Black Dobby	GR BRB
		Sonnenland A5 German Cloth Singed	94281060A	Black	Black Dobby	A5 BKB
		Sonnenland A5 German Cloth Singed	94483460A	Graphite Grey	Black Dobby	A5 GGB
3163, 3164	Porsche Boxster 2003-On	Sonnenland A5 German Cloth Singed	94481365A	Metropol Blue	Black Dobby	A5 MPB
		Sonnenland A5 German Cloth Singed	94483560A	Space Grey	Black Dobby	A5 SGB
		Sonnenland A5 German Cloth Singed	94281060A	Black	Black Dobby	A5 BKB
		Sonnenland A5 German Cloth Singed	94483460A	Graphite Grey	Black Dobby	A5 GGB
		Sonnenland A5 German Cloth Singed	94481365A	Metropol Blue	Black Dobby	A5 MPB
2725C, HD272	Saab 900 1986-94	Sonnenland Classic German Cloth	9300002A	Black	Black Dobby	GR BKB
		Sonnenland Classic German Cloth	9300004A	Blue	Black Dobby	GR BLB
2728R	Saab 900 1996	Haartz Twillfast Cloth	1973	Black	Black Dobby	TW BKB
2728R	Saab 900 1997-98	Haartz Twillfast Cloth	1952	Blue	Black Dobby	TW BLB
		Sonnenland A5 German Cloth	94581001A	Black	Black Dobby	A5 BKB
2732C	Saab 9-3 1999-03	Sonnenland A5 German Cloth	94581001A	Black	Black Dobby	A5 BKB
2734C	Saab 9-3 2004-On	Sonnenland A5 German Cloth	94581001A	Black	Black Dobby	A5 BKB
		Sonnenland A5 German Cloth	94682101A	Dark Blue	Black Dobby	N/A
3002C, PC3002	Toyota Celica 1991-93	Haartz Stayfast Cloth	848	Black	Black	ST BKB
3003C, HD303	Toyota Celica 1995-99	Haartz Stayfast Cloth	848	Black	Black	ST BKB
3010C, HD301	Toyota Solara 1999-2003	Topline T3000 Cloth	1878	Black	Black	SF BKB
		ToplineT3000 Cloth	1944	Tan	Black	SF TAB
3011C	Toyota Solara 2004-On	Topline T3000 Cloth	1878	Black	Black	SF BKB
		ToplineT3000 Cloth	1944	Tan	Black	SF TAB
3300C	Volvo C70 1998-05	Sonnenland A5 German Cloth	945811001A	Black	Black Dobby	A5 BKB
		Sonnenland A5 German Cloth	94536704A	Marine Blue	Black Dobby	A5 IDB*
		Sonnenland A5 German Cloth	94582903A	GrayBeige	Black Dobby	N/A
2062	VW Rabbit, Golf 1 1980-93	Sonnenland Classic German Cloth	9300002A	Black	Black Dobby	GR BKB
2064	VW Cabrio, Golf III 1994-00	Haartz Twillfast Cloth	1973	Black	Black Dobby	TW BKB
		Haartz Twillfast Cloth	1952	Blue	Black Dobby	TW BLB
2066	VW Cabrio, Golf IV 2001-02	Haartz Twillfast Cloth	1973	Black	Black Dobby	TW BKB
		Haartz Twillfast Cloth	1952	Blue	Black Dobby	TW BLB
		Sonnenland A5 German Cloth	94581503A	English Green	Black Dobby	A5 MGB*
		Sonnenland A5 German Cloth	9458200A	Titan Gray	Black Dobby	A5 TGB
2068	VW Beetle, 2003-On	Sonnenland A5 German Cloth	94581001A	Black	Black Dobby	A5 BKB
		Sonnenland A5 German Cloth	94582004A	Titan Gray	Black Dobby	A5 TGB
		Sonnenland A5 German Cloth	94580814A	Cream	Black Dobby	A5 CRB

Preferred Installer Application
Please fill out and fax to Robbins Auto Top at 805-604-3201

Name of Trim Shop: _____

Owner/Manager's Name: _____

Address: _____

City: _____ State: _____ Zip: _____ Tel: _____ Fax: _____

Email Address: _____ Website Address: _____

Year shop was founded: _____ Business/Resale License No.: _____

Name of distributors with whom you do business and/or with whom you have an open account:

Is your business primarily Automotive Upholstery Furniture Other- _____

Do you normally install Robbins Auto Tops' products for your customers? Yes No

Do you train your technicians to install convertible tops/glass windows? Yes No

I agree to comply with the requirements of the Robbins Auto Top Company's Preferred Installer Program Principles.

Signature: _____ Date: _____

 Robbins Auto Top Preferred Installer Principles 

Conditions for Participation

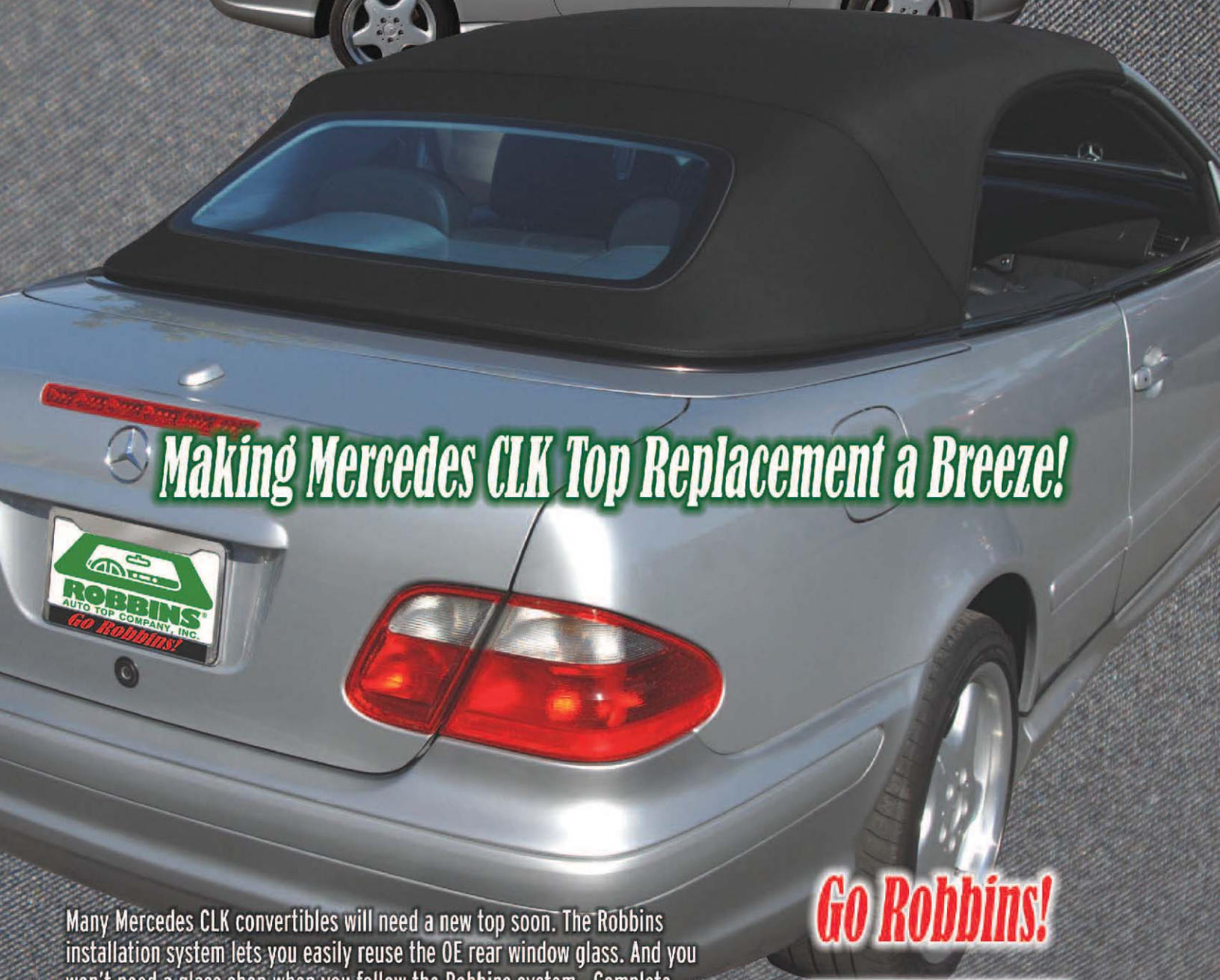
You must agree to the following conditions to participate in Robbins' Preferred Installer Program and have your Trim Shop listed on our website.

- Business License: Have a valid business license.
- Place of Business: Operate your trim shop in a place of business, not from your home or a vehicle.
- Courtesy: Treat customers and their convertibles with respect and appreciation.
- Honesty: Take time to fully explain the work required and the parts that are needed to install a convertible top or other product correctly. Explain to customers that top pads, side cables and other parts should be purchased to avoid warranty problems, and to provide maximum service life for the new convertible top you plan to install.
- Integrity: Provide your customers with first-rate care and service.
- Reliability: Finish jobs on the day you have promised them. If this proves impossible (for instance, if unforeseen problems arise), call customers to advise them of the delay.
- Craftsmanship: Make certain you and your employees are knowledgeable about convertible top installation techniques and the tools that are required.
- Thoroughness: Check to see that all jobs performed in your shop were done correctly. Make sure no tools or supplies are left in the convertible, and that tops and windows are clean when the customer picks up the car.
- Creativity: Offer suggestions about the best way to do the job to ensure that your customer will be satisfied with your work.
- Guarantee: Stand behind your work. Give Robbins' Warranty Card and green Tradition of Excellence brochure to customers when they pick up their convertible. Honor any warranty claims that may arise by reporting claims to your distributor and following Robbins' warranty procedures.

Conditions Requiring Disqualification

- Complaints: You will be removed from our program if Robbins receives three complaints within two years from convertible top owners or local, state or federal agencies, such as Consumer Affairs or the Better Business Bureau.

The Robbins Installation System for CLKs



Making Mercedes CLK Top Replacement a Breeze!



Many Mercedes CLK convertibles will need a new top soon. The Robbins installation system lets you easily reuse the OE rear window glass. And you won't need a glass shop when you follow the Robbins system. Complete instructions with detail color photos and all the needed components are in the box. When you need convertible solutions, go Robbins!

Go Robbins!



ROBBINS[®]
AUTO TOP COMPANY, INC.